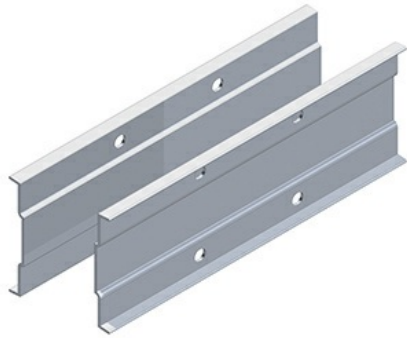




Cablofil 6A-SSP-GE 6H STANDARD SPLICE KIT (TRA)

Part No. P314128



The aluminum I-beam design of ITray is perfect for industrial installations with large diameter cables in long span situations, minimizing total tray width and creating a smooth transition between straight sections and fittings. A structural offset in the sidewall creates strong, mid-span splices that need fewer supports. Each splice snaps in place and stays without holding. Additionally, only four bolts are needed for each splice reducing hardware needs by 50%. These features allow Itray to be installed up to 30% faster than standard tray.

Features & Benefits

Material: Aluminum Alloy 6063 - T6

Finish: Plain

Height (H): Tray height: 4", 5", 6", 7"

Torque: 19 - 25 ft-lbs

Specifications

General Info

Product Line	Cablofil	Finish	AL
UPC Number	800388200050	Country Of Origin	Mexico

Dimensions

Product Width US	2.02 in	Product Weight US	1.528 lb
Product Volume US	0.084 cu ft	Product Depth US	12.0 in
Product Height US	6.023 in		

Buy American Act Compliance

BAA	Yes
-----	-----