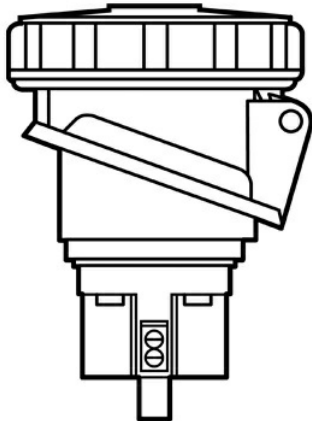




Pass and Seymour  
Pin & Sleeve Watertight 100A 3ø 480V Receptacle  
Part No. PS4100R7W



Triple-Pole, 4-Wire, Pin and Sleeve Receptacle. 100A, 3/480V.

## Features & Benefits

All P&S Watertight Pin & Sleeve plugs, connectors, receptacles, and inlets bring you the features to enhance versatility, reliability, and safety.

And all feature chemical-resistant thermoplastic construction.

An exclusive, hinged cord grip eliminates loose parts that get lost.

North American products come completely ready to wire, for quick, simple installation.

Shrouded, nickel-plated, solid-brass pins provide corrosion protection and excellent conductivity.

## Specifications

### General Info

Product Line	Pass & Seymour	Color	Gray
Country Of Origin	United States	Application Sector	Commercial
Standard	UL Listed		

### Dimensions

Product Width US	5.2 in	Product Height US	6.6 in
Product Length US	5.6 in		

### Listing Agencies / 3rd Party Agencies

cULus ListingNumber	151348	cULus Listed	Yes
---------------------	--------	--------------	-----

### Technical Information

---

Number of Wires	4	Amperage	100 A
Number of Poles	3-Way	Wire Size	2 AWG
Voltage	480.0 V		

---