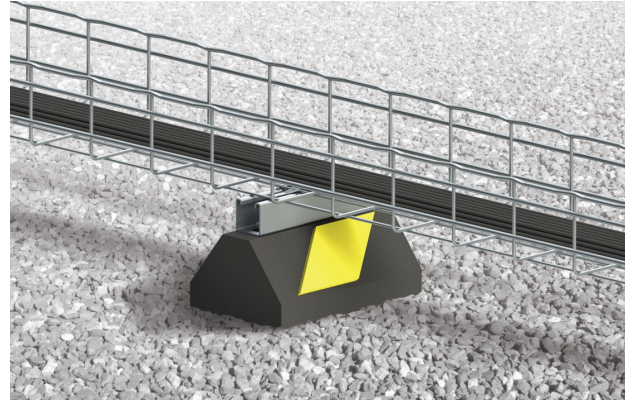


CABLOPORT – Innovative solutions for rooftop support.

CabloPort is a UV and weather resistant rubber base that creates a cushion between rooftop mounted equipment and sensitive roofing materials. The standard style is perfect for smaller loads and tight spaces. CabloPort is available with pre-installed FAS P and channel options to mount cable management pathways and roof mounted equipment.



FEATURES

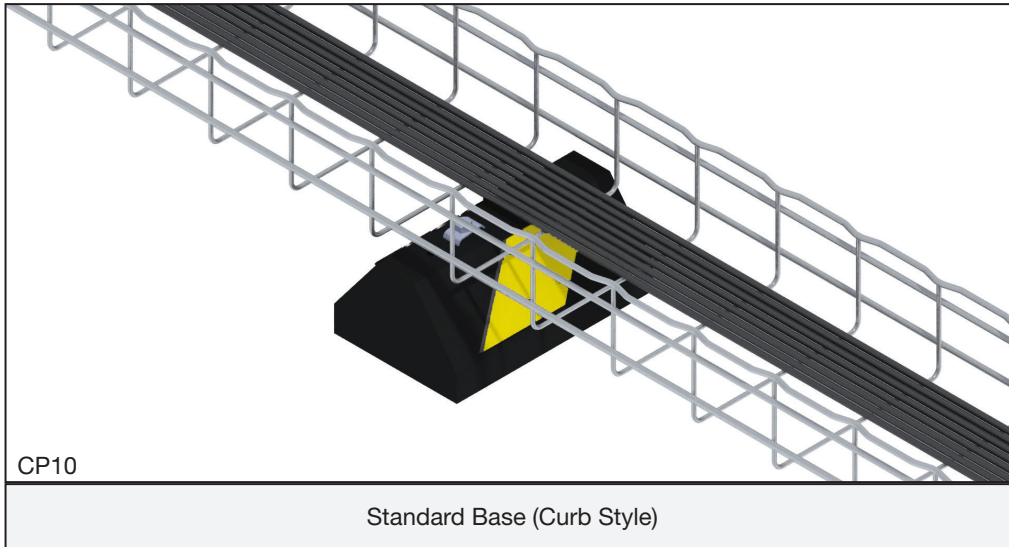
- Non-penetrating weather resistant bases
- Pre-installed metal supports
- Cushion composite base
- Reflective safety strip

BENEFITS

- UV resistant rubber base material will not deteriorate over time
- Base design supports up to 1000 lbs./ft.
- Composite base material accepts screws or mechanical fasteners
- Made from 100% recycled rubber for green building certification
- FAS P allows for easy installation of Cablofil cable management
- Slotted Channel supports PW ladder tray and tubing
- Supports are available in three finishes for exterior applications
- Options for sloped roofs and elevated pathways
- Extends life of roof
- Reduces pressure points on sensitive roofing materials
- Dampens vibrations from rooftop mounted equipment
- Makes roof installations safer for maintenance crews

FINISHES

PG	Pre-Galvanized
GC	Hot Dipped Galvanized: After Fabrication
304L	Stainless Steel 304L



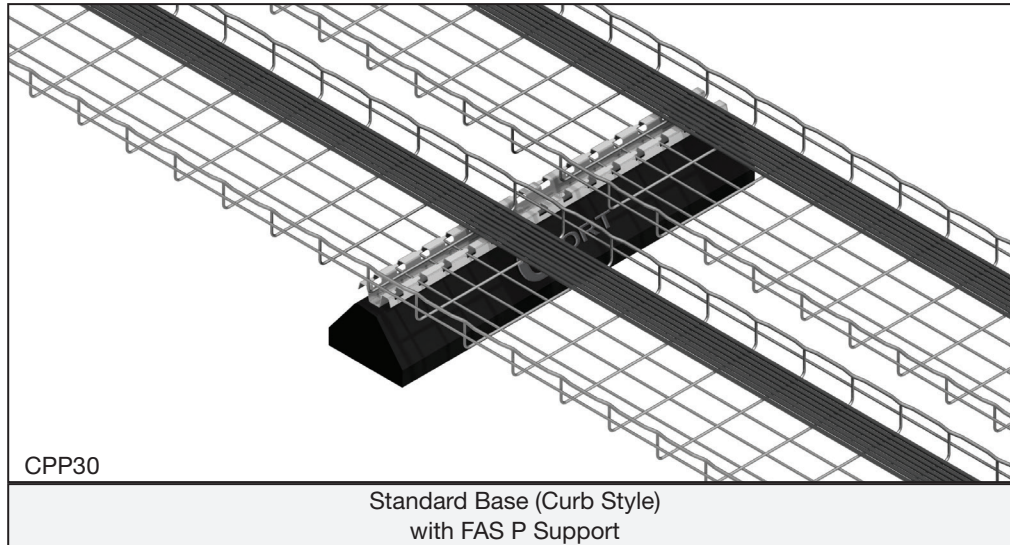
- Cable pathway or other products can be mounted to base with clamps and screws
- Install on any roofing material or other flat surface
- Standard Base has maximum load of 600 lbs.
- Composite material allows through bolts or lag type screws (through bolts recommended)

CP										
	SUPPORT	HEIGHT		WIDTH		BASE LENGTH		WEIGHT		RBR*
		IN	MM	IN	MM	IN	MM	LBS	KG	
CP5	NONE	4.0	100	6.0	150	5.0	125	2.6	1.2	943 523
CP10		4.0	100	6.0	150	9.6	240	4.6	2.0	943 524
CP20		4.0	100	6.0	150	22.0	550	10.5	4.8	943 525
CP30		4.0	100	6.0	150	28.8	730	16.0	7.3	943 526

*RBR= Rubber

CABLOFIL® FASTENERS

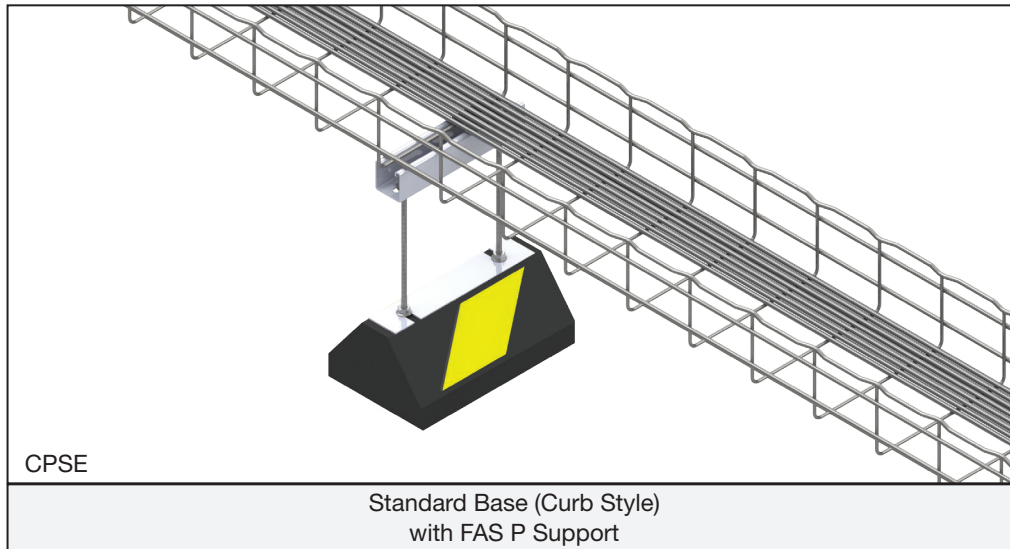
CabloPort Base with FAS P or Channel Support CPP/CPS



- Install on any roofing material or other flat surface
- Two support styles:
 - FAS Profile for Cablofil trays
 - 13/16" galvanized channel (14 ga.) for ladder tray, piping or other material support
- Standard Base has maximum load of 600 lbs.

CPP/CPS												
	SUPPORT	HEIGHT		SUPPORT LENGTH		BASE LENGTH		WEIGHT		PG	GC	304L
		IN	MM	IN	MM	IN	MM	LBS	KG	STANDARD FINISH	OPTIONAL FINISHES	
CPP5	FAS P	5.0	125	6.0	105	5.0	125	3.0	1.4	943 529	943 553	–
CPP10		5.0	125	12.0	300	9.6	240	5.0	2.3	943 530	943 554	–
CPP20		5.0	125	24.0	600	22.0	550	11.0	5.0	943 531	943 555	–
CPP30		5.0	125	30.0	750	28.8	730	18.5	8.4	943 532	943 556	–
CPS5	STRUT	5.0	125	6.0	105	5.0	125	3.0	1.4	943 534	–	–
CPS10		4.9	120	10.0	250	9.6	240	5.3	2.4	943 535	943 559	–
CPS15		4.9	120	16.0	400	14.6	370	8.6	3.9	943 536	943 560	–
CPS20		4.9	120	22.0	550	22.0	550	11.2	5.1	943 537	943 561	–
CPS30		4.9	120	28.0	710	28.8	730	16.3	7.4	943 538	943 562	–

– Contact manufacturer for availability.



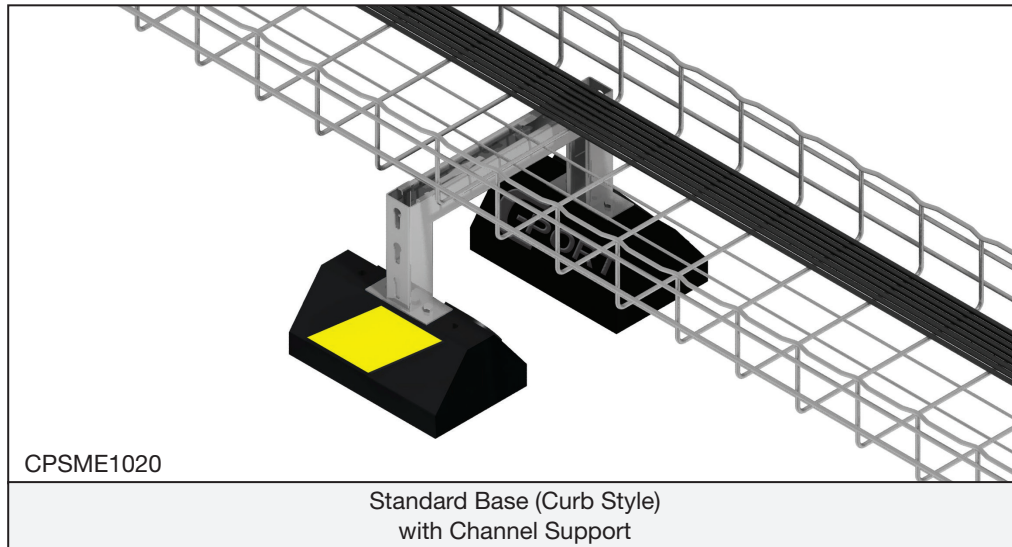
- For support of cable pathways with varying heights
- Base includes two (2) 1/2" Electrozinc threaded rod risers and FAS Profile or channel
- Install on any roofing material
- Standard series maximum load 150 lbs.

CPPE/CPSE												
	SUPPORT	HEIGHT		SUPPORT LENGTH		BASE LENGTH		WEIGHT		PG	GC	304L
		IN	MM	IN	MM	IN	MM	LBS	KG	STANDARD FINISH	OPTIONAL FINISHES	
CPPE10-88	FAS P	8.0	200	8.0	200	9.6	240	6.2	2.8	943 565	943 589	–
CPPE20-818		8.0	200	18.0	450	22.0	550	13.4	6.1	943 567	943 591	–
CPPE20-824		8.0	200	24.0	600	22.0	550	13.6	6.2	943 568	943 592	–
CPPE10-128		12.0	300	8.0	200	9.6	240	6.5	2.9	943 569	943 593	–
CPPE20-1218		12.0	300	18.0	450	22.0	550	13.9	6.3	943 571	943 595	–
CPPE20-1224		12.0	300	24.0	600	22.0	550	14.5	6.6	943 572	943 596	–
CPSE10-810	STRUT	8.0	200	10.0	250	9.6	240	6.2	2.8	943 601	943 625	–
CPSE20-822		8.0	200	22.0	550	22.0	550	13.7	6.2	943 603	943 627	–
CPSE30-828		8.0	200	28.0	710	28.8	730	19.4	8.8	943 604	943 628	–
CPSE10-1210		12.0	300	10.0	250	9.6	240	6.5	2.9	943 605	943 629	–
CPSE30-1228		12.0	300	28.0	710	28.8	730	19.6	8.9	943 608	943 632	–

– Contact manufacturer for availability.

CABLOFIL® FASTENERS

CabloPort Medium Load Series with Channel Support CPSME



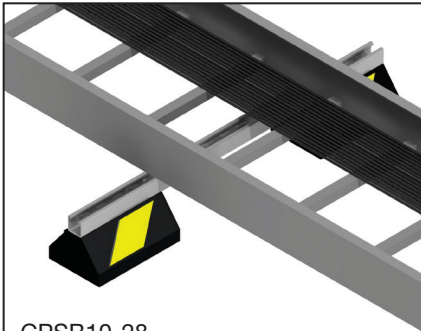
- Ideal for mounting medium load elevated cable pathways
- Base includes two channel risers and channel crossbar
- Install on any roofing material or other flat surfaces
- Channel can be used to support Cablofil tray (secure with FS41 (SS) Spring Clips)
- Standard series maximum load 150/500 lbs.

CPSME												
	SUPPORT	HEIGHT		SUPPORT LENGTH		BASE LENGTH		WEIGHT		PG	GC	304L
		IN	MM	IN	MM	IN	MM	LBS	KG	STANDARD FINISH	OPTIONAL FINISHES	
CPSME1020	STRUT	10.0	250	20.0	500	10.0	250	14.2	6.4	943 669	943 677	–
CPSME1620		16.0	400	20.0	500	10.0	250	15.6	7.1	943 670	943 678	–
CPSME1030		10.0	250	30.0	750	22.0	550	45.0	20.4	943 671	943 679	–
CPSME1630		16.0	400	30.0	750	22.0	550	45.5	20.6	943 672	943 680	–

– Contact manufacturer for availability.

CABLOFIL® FASTENERS

CabloPort Bridge Series with FAS P or Channel Support CPPB/CPSB/CPSA



CPSB10-28

Standard Base (Curb Style)
with Channel Support

- Designed as sleeper for HVAC units, cable pathways, roof walkways or other applications
- Two (2) bases bridged with 1 5/8" galvanized channel (12 ga.) or FAS P
- Install on any roofing material or other flat surfaces
- Channel can be used to support Cablofil tray (secure with FS41 Spring Clips)
- Standard series maximum load 500 lbs.

CPPB/CPSB												
	SUPPORT	HEIGHT		SUPPORT LENGTH		BASE LENGTH		WEIGHT		PG	GC	304L
		IN	MM	IN	MM	IN	MM	LBS	KG		STANDARD FINISH	OPTIONAL FINISHES
CPPB10-28	FAS P	5.0	125	28.0	710	9.6	240	13.4	6.1	943 637	–	–
CPSB10-28	STRUT	5.6	140	28.0	710	9.6	240	13.6	6.2	943 642	–	–
CPSB10-36		5.6	140	36.0	900	9.6	240	14.9	6.8	943 643	–	–
CPSB10-42		5.6	140	42.0	1050	9.6	240	–	–	943 644	–	–
CPSB10-50		5.6	140	50.0	1270	9.6	240	–	–	943 645	–	–
CPSB10-60		5.6	140	60.0	1524	9.6	240	–	–	943 646	–	–

– Contact manufacturer for availability.

CabloPort Vari-Angle Series with Channel Support CPSA



CPSA20PG

Standard Base (Curb Style)
with Channel Support

- Designed to adapt to any roof pitch or uneven surface
- Install on any roofing material
- Easily adjusted onsite
- Leg adaptor will accommodate 1 5/8" x 1 5/8" channel framing
- U-shaped 1 7/8" x 1 7/8" leg adaptor pre-drilled with 9/16" mounting holes is pre-mounted to base
- Maximum load 500 lbs.

CPSA										
	SUPPORT	BASE HEIGHT		BASE WIDTH		BASE LENGTH		WEIGHT		PG
		IN	MM	IN	MM	IN	MM	LBS	KG	
CPSA10	STRUT	5.6	140	6.0	150	9.6	240	8.0	3.6	943 667
CPSA20		5.6	140	6.0	150	22.0	550	15.1	6.8	943 668

Vertical 1 5/8" x 1 5/8" strut and horizontal crossbar not provided.



Electrical Wiring Systems

8319 State Route 4
Mascoutah, IL 62258
800.658.4641
www.legrand.us/cablofil

570 Applewood Crescent
Vaughan, Ontario L4K 4B4
905.738.9195
www.legrand.ca