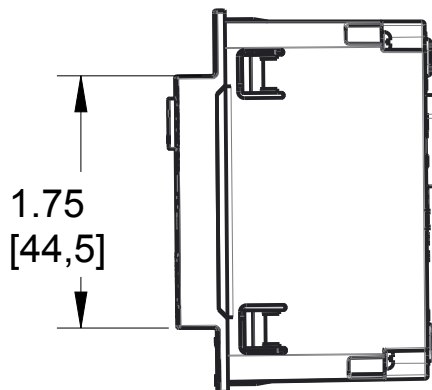
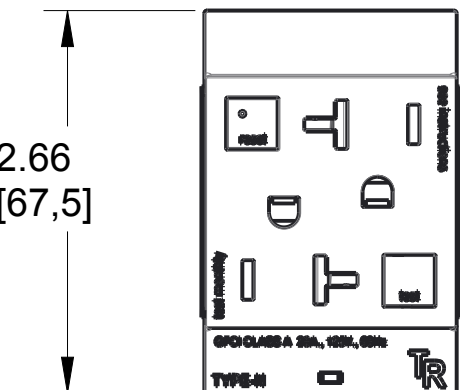
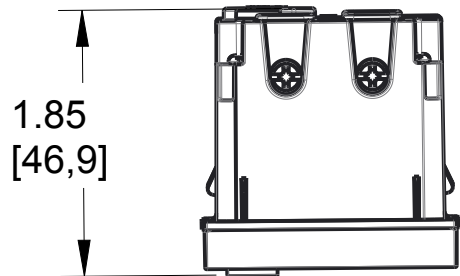


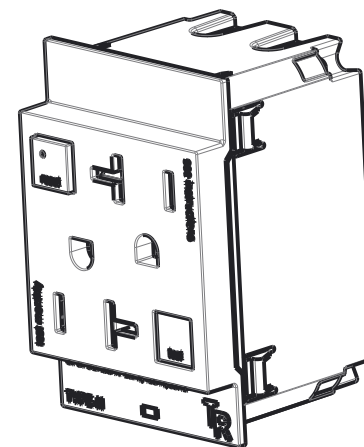
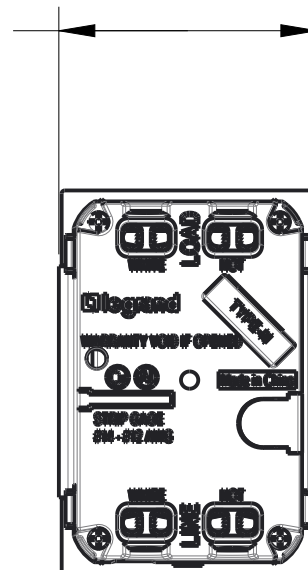
2

1

REV	EC.NO.	DATE	DESCRIPTION	DFTR	CK.
A			INITIAL RELEASE		



1.79
[45,5]



B

B

A

A

Size Face: 2x2 Module
 Size Backbody: 3x2 Module
 3rd Party Compliance: cULus LISTED
 Rating: 20A, 125V
 Termination: Back Wire, Ground Wire Lead
 Misc: Copper Wire Only
 For Use With adorne System Only
 Works With All Standard Wall Boxes

AFGTR202, adorne GFCI Tamper-Resistant 2-Module 20A					
MATERIAL	SEE NOTE	UNSPECIFIED TOL. FRAC. $\pm 1/64$ ANGLES ± 1.0 DEC $.0 \pm 0.02$ INCHES $.00 \pm 0.01$ MILLIMETERS $.000 \pm 0.001$		 MODEL NAME: AGFTR202	
FINISH	SEE NOTE	DSGN BY:	6/4/2015		
DR BY:		SCALE:	SHT 1 of 1	PROJ.	DWG NO.:
CK BY:		0.750			CD1184
NOTICE: Proprietary and confidential information of Pass & Seymour/Legrand Reproduction or disclosure prohibited under penalty of law.				REV.:	A

2

1