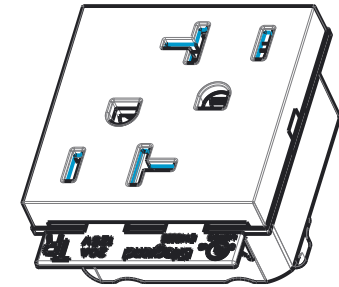
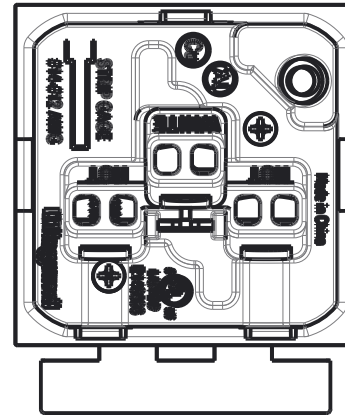
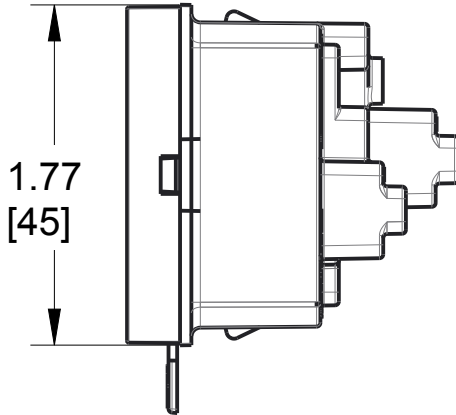
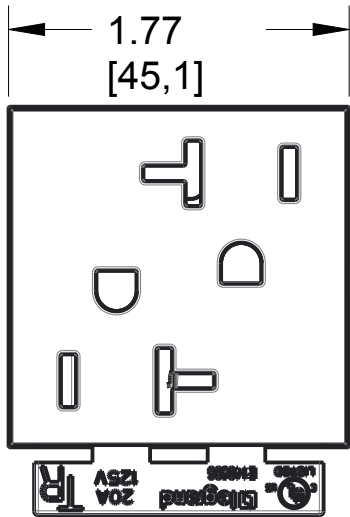
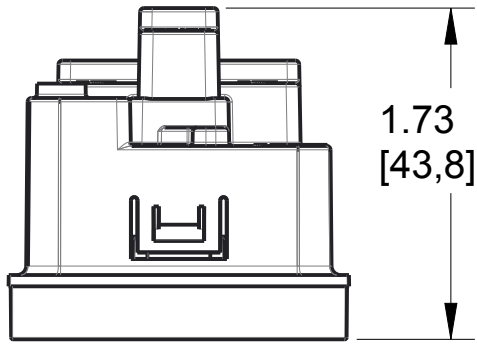


2

1

REV	EC.NO.	DATE	DESCRIPTION	DFTR	CK.
A			INITIAL RELEASE		



SCALE 0.750

B

B

A

A

Size Face: 2x2 Module  
 Size Backbody: 2x2 Module  
 3rd Party Compliance: cULus LISTED  
 Rating: 20A, 125VAC, All Loads  
 Termination: Back Wire Only  
 Misc: Copper Wire Only  
 For Use With adorne System Only

ARTR202, Tamper-Resistant Outlet, 20A					
MATERIAL	SEE NOTE	UNSPECIFIED TOL. FRAC. ± 1/64 ANGLES ± 1.0 DEC .0 ± 0.02 .00 ± 0.01 .000 ± 0.005			
FINISH	SEE NOTE				
DSGN.BY: RMR	5/18/2015		MODEL NAME: ARTR202		
DR.BY:		SHT 1of1	PROJ.	DWG.NO.: CD1148	REV.: A
CK.BY:		SCALE: 1.000			
NOTICE: Proprietary and confidential information of Pass & Seymour/Legrand Reproduction or disclosure prohibited under penalty of law.					

2

1