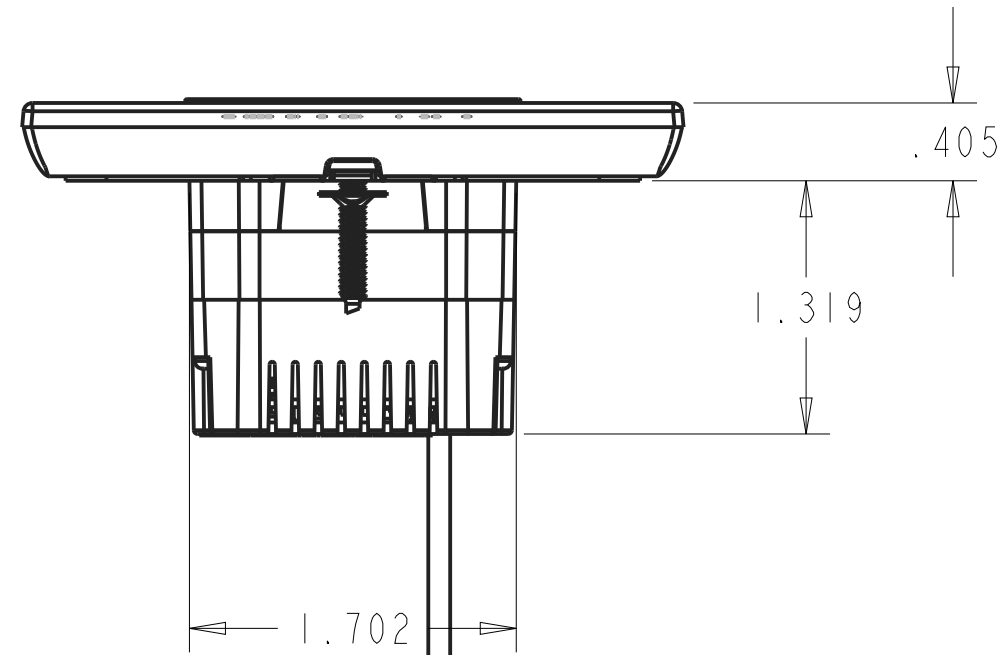


VIEW WITH WALL PLATE REMOVED.

RATING: 15A, 125VAC.  
 3RD PARTY COMPLIANCE: cULus LISTED  
 WIRE TERMINATION: BACK OR SIDE WIRE.  
 COPPER WIRE ONLY.



ARTRUSB153 RECEPTACLE					
MATERIAL	SEE NOTE	UNSPECIFIED TOL.	<b>Pass &amp; Seymour</b> <b>legrand</b> MODEL NAME: ARTRUSB153		
FINISH	SEE NOTE	FRAC. ± 1/64			
DSGN. BY:	8/23/17	ANGLES ± 1.0			
DR. BY:		DEC. ± 0.02			
CK. BY:		.00 ± 0.01	SHT 1 of 1	PROJ.	DWG. NO.:
		.000 ± 0.005	SCALE:	1.000	<b>PSCUST0002</b>
NOTICE: Proprietary and confidential information of Pass & Seymour/Legrand Reproduction or disclosure prohibited under penalty of law					