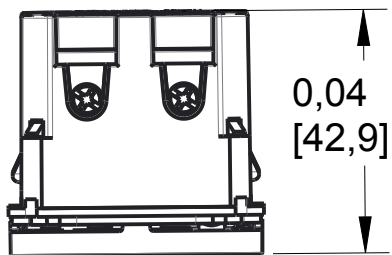


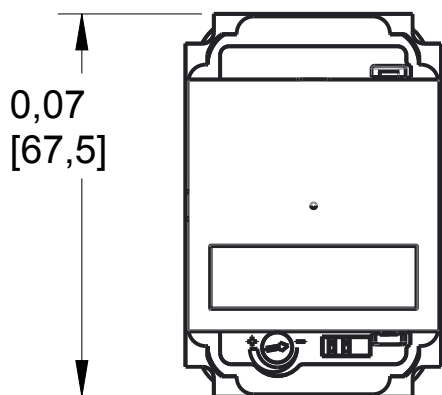
2



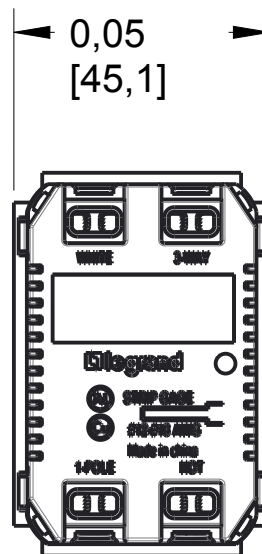
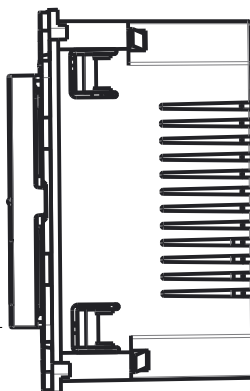
1

REV	EC.NO.	DATE	DESCRIPTION	DFTR	CK.
A			INITIAL RELEASE		

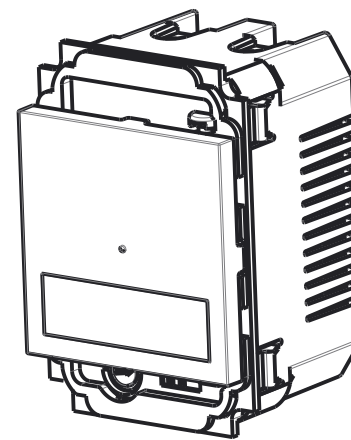
B



0,04
[44,4]



0,05
[45,1]



B

A

Must Be Paired With Another SensaSwitch or SensaDimmer For Multi-Way Use

Size Face: 2x2 Module

Size Backbody: 3x2 Module

3rd Party Compliance: cULus LISTED

Rating:

600W, 120VAC, 60Hz,

1/6 Hp, All Loads

Termination: Back Wire Only

Misc: Copper Wire Only

For Use With adorne System Only

A

ASOS32, SensaSwitch Auto-ON/Auto-OFF

MATERIAL	SEE NOTE	UNSPECIFIED TOL. FRAC. ± 1/64 ANGLES ± 1.0 DEC. 0 ± 0.02 .00 ± 0.01 .000 ± 0.001	 	
FINISH	SEE NOTE			
DSGN BY:	6/2/2015	MODEL NAME: ASOS32		
DR BY:		SHT 10f1	PROJ.	DWG NO.: CD1180
CK BY:		SCALE: 0.750		REV.: A

NOTICE: Proprietary and confidential information of Pass & Seymour/Legrand
Reproduction or disclosure prohibited under penalty of law.

2

1