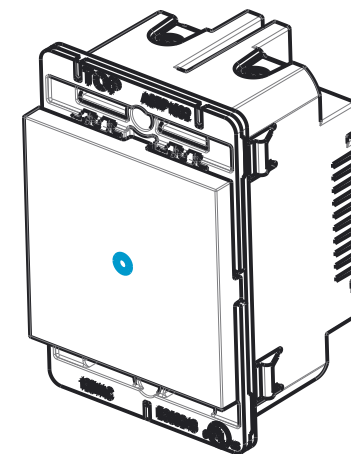
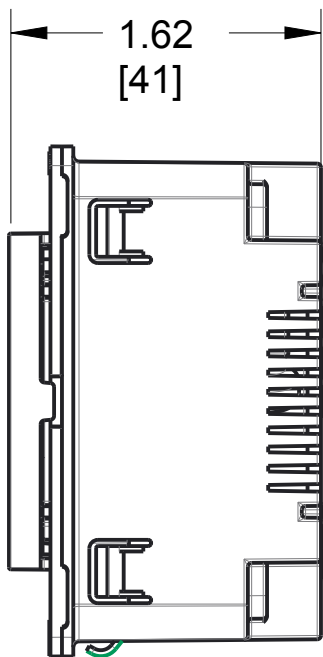
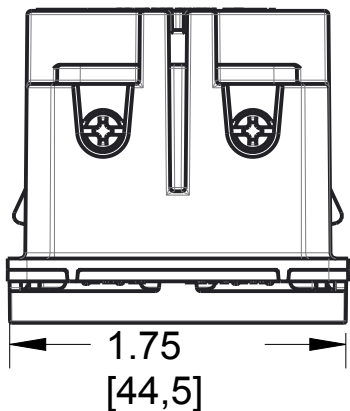


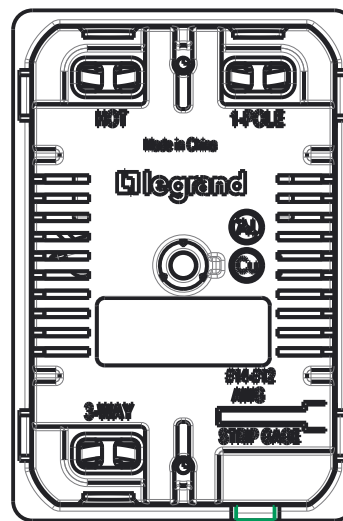
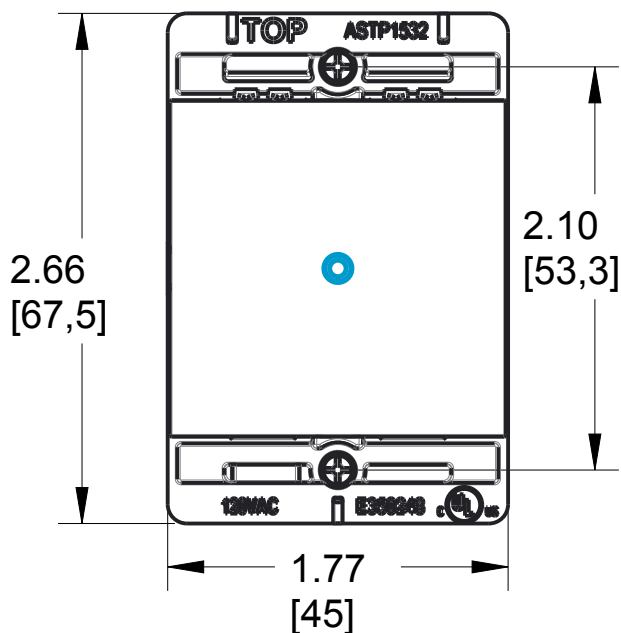
2

1

REV	EC.NO.	DATE	DESCRIPTION	DFTR	CK.
A			INITIAL RELEASE		



SCALE 0.750



### ASTP1532, sofTap Switch

Size Face: 2x2 Module  
 Size Body: 3x2 Module  
 Rating: 15A, 120 VAC, All Loads  
 3rd Party Compliance: cULus LISTED  
 Termination: Back Wire Only  
 Misc: Copper Wire Only  
 Accepts Locator Status Light  
 For Use With adorne System Only

MATERIAL	SEE NOTE	UNSPECIFIED TOL. FRAC. ± 1/64 ANGLES ± 1.0 DEC. 0 ± 0.02 .00 ± 0.01 .000 ± 0.005			
FINISH	SEE NOTE				
DSGN BY:	5/12/2015		MODEL NAME:	ASTP1532	
DR. BY:		SHT 1of1	PROJ.	DWG. NO.:	REV.:
CK. BY:		SCALE: 1.000		CD1139	A

NOTICE: Proprietary and confidential information of Pass & Seymour/Legrand  
 Reproduction or disclosure prohibited under penalty of law.

2

1