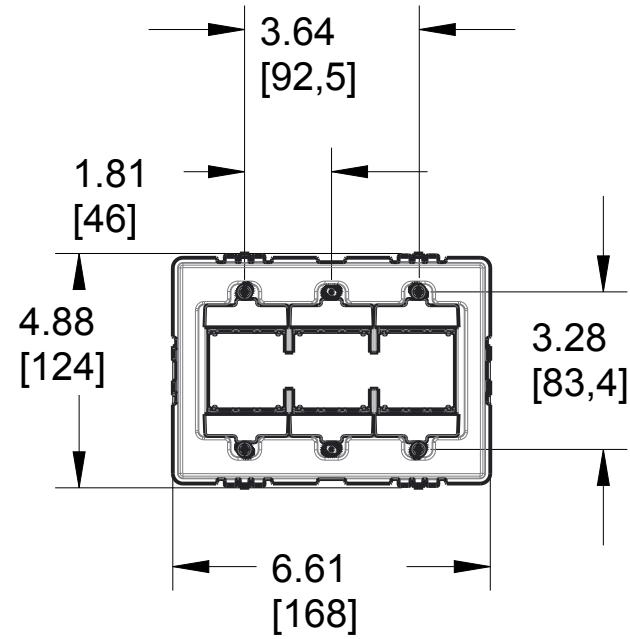
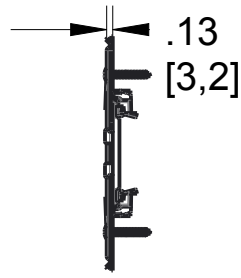
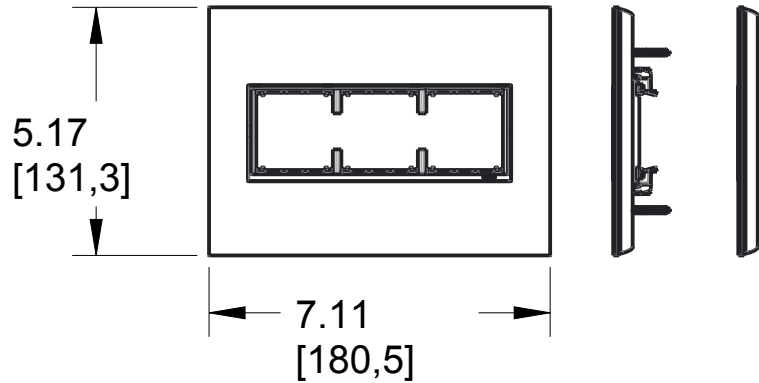
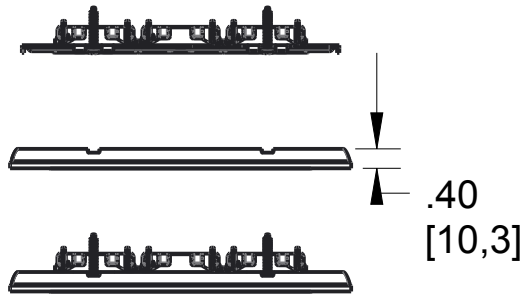
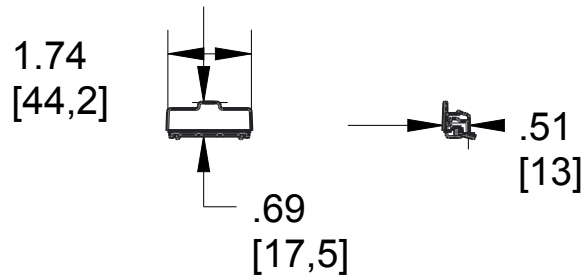


2

1

REV	EC.NO.	DATE	DESCRIPTION	DFTR	CK.
A			INITIAL RELEASE		



B

B

A

A

3rd Party Compliance: cULus LISTED,
cETLus LISTED
Includes Wallplate, Subframe And Spacers
Shown
For Use With adorne System Only
All adorne System Subframes Are Grounded
All adorne Wallplates Containing Metal
Are Grounded

AWM3G, Wallplate Material 3-Gang

MATERIAL	SEE NOTE	UNSPECIFIED TOL. FRAC. ± 1/64 ANGLES ± 1.0 DEC. 0 ± 0.02 .00 ± 0.01 .000 ± 0.005	 		
FINISH	SEE NOTE				
DSGN.BY: RMR	5/20/2015		MODEL NAME: AWM3G		
DR.BY:		SHT 1of1	PROJ.	DWG.NO.: CD1159	REV.: A
CK.BY:		SCALE: 0.250			

NOTICE: Proprietary and confidential information of Pass & Seymour/Legrand
Reproduction or disclosure prohibited under penalty of law.

2

1