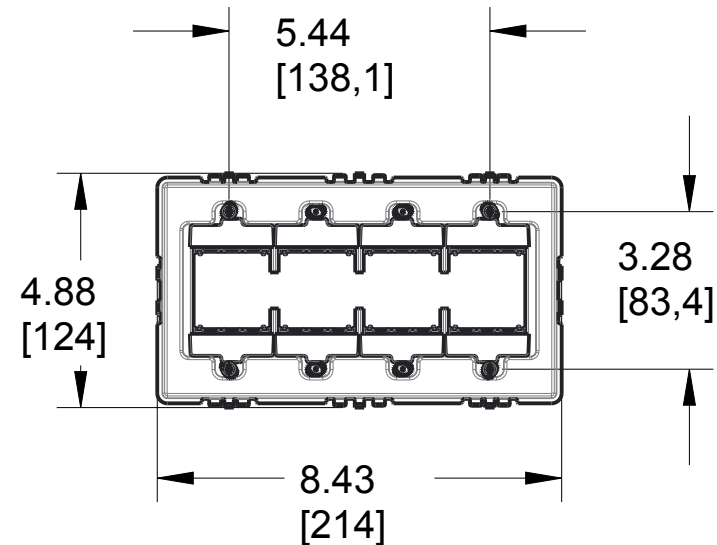
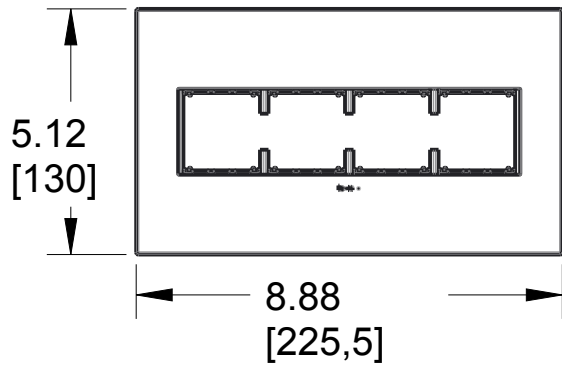
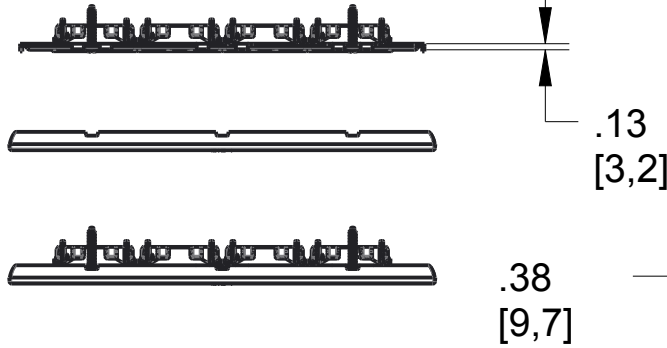
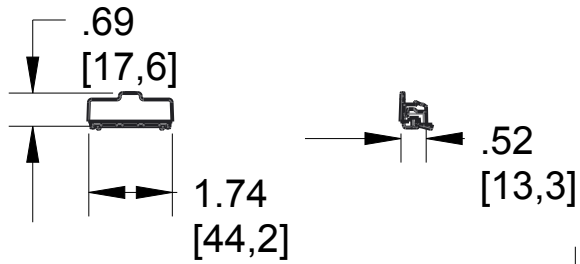


2

1

REV	EC.NO.	DATE	DESCRIPTION	DFTR	CK.
A			INITIAL RELEASE		
A1			REVISION TO DRAWING		





B

B

A

A

3rd Party Compliance: cULus LISTED,
 cETLus LISTED
 Includes Wallplate, Subframe And Spacers
 Shown
 For Use With adorne System Only
 All adorne System Subframes Are Grounded
 All adorne Wallplates Containing Metal
 Are Grounded

AWP4G, Wallplate Plastic 4-Gang					
MATERIAL	SEE NOTE	UNSPECIFIED TOL. FRAC. ± 1/64 ANGLES ± 1.0 DEC .0 ± 0.02 .00 ± 0.01 .000 ± 0.005		 legrand	
FINISH	SEE NOTE			MODEL NAME: AWP4G	
DSGN.BY: RMR	5/19/2015				
DR.BY:		SHT 1of1	PROJ.	DWG.NO.:	REV.:
CK.BY:		SCALE: 0.250		CD1153	A1
NOTICE: Proprietary and confidential information of Pass & Seymour/Legrand Reproduction or disclosure prohibited under penalty of law.					

2

1