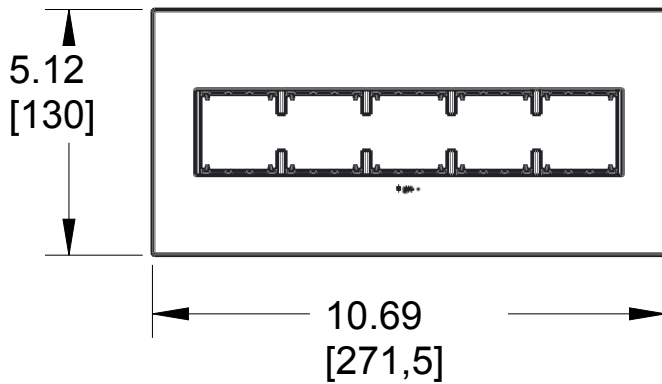
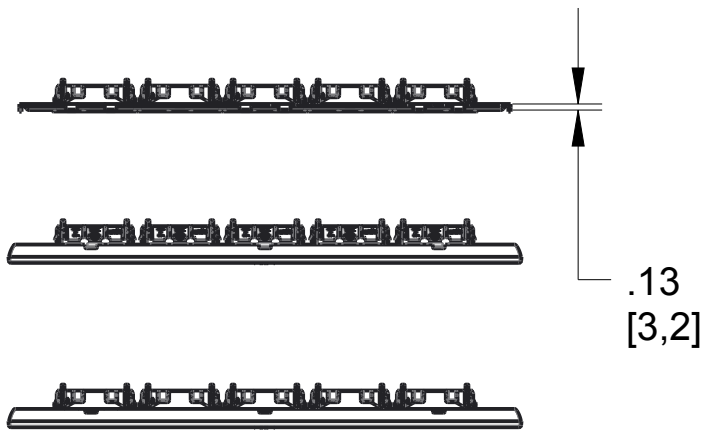


2

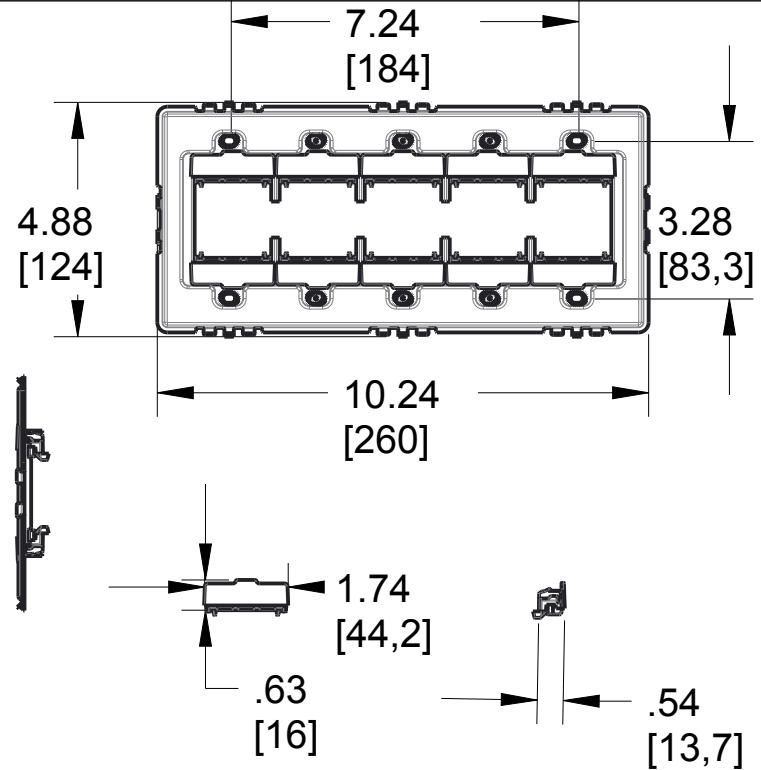
1

REV	EC.NO.	DATE	DESCRIPTION	DFTR	CK.
A			INITIAL RELEASE		



.13  
[3,2]

.38  
[9,7]





B

B

A

A

3rd Party Compliance: cULus LISTED,  
cETLus LISTED  
Includes Wallplate, Subframe And  
Spacers Shown  
For Use With adorne System Only  
All adorne System Subframes Are  
Grounded  
All adorne Wallplates Containing  
Metal Are Grounded

AWP5G, Wallplate Plastic 5-Gang					
MATERIAL	SEE NOTE	UNSPECIFIED TOL. FRAC. ± 1/64 ANGLES ± 1.0 DEC. 0 ± 0.02 .00 ± 0.01 .000 ± 0.005		 MODEL NAME: AWP5G	
FINISH	SEE NOTE	DSGN BY: RMR	5/19/2015		
DR BY:		SHT 1 of 1	PROJ.	DWG NO.: CD1154	REV.: A
CK BY:		SCALE: 0.250			
NOTICE: Proprietary and confidential information of Pass & Seymour/Legrand Reproduction or disclosure prohibited under penalty of law.					

2

1