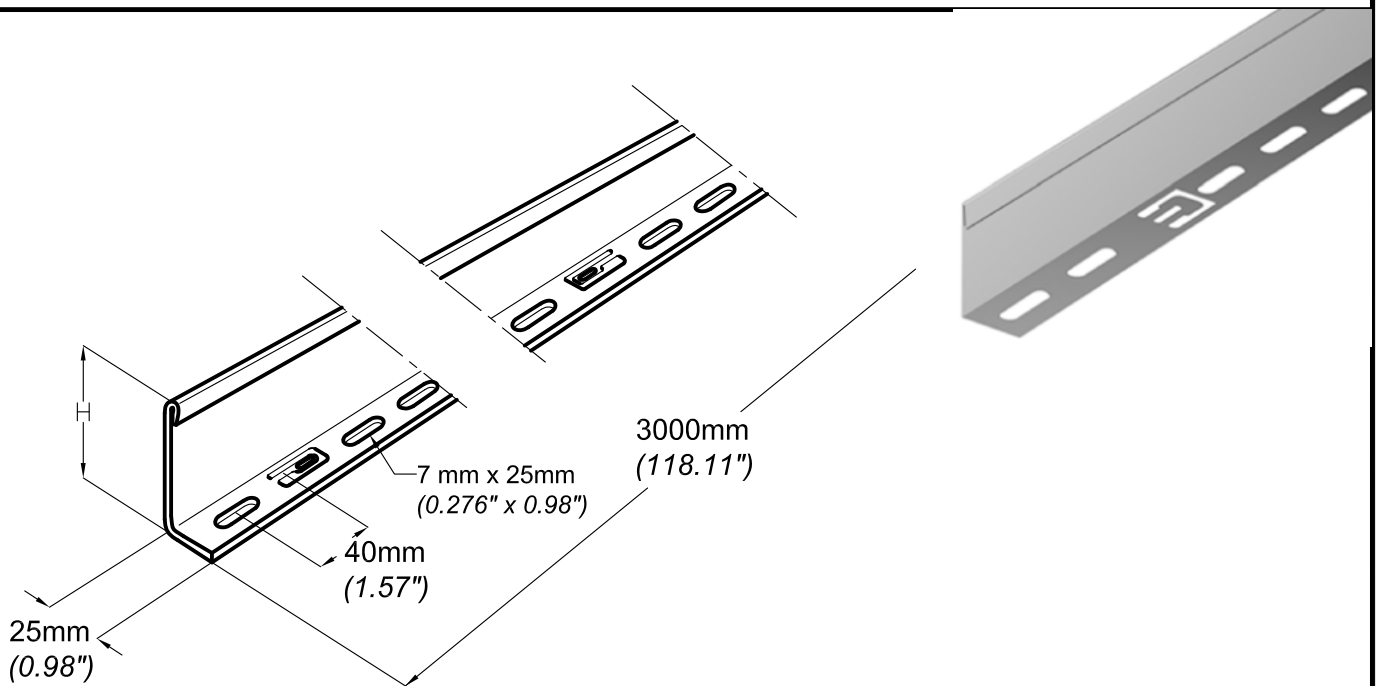
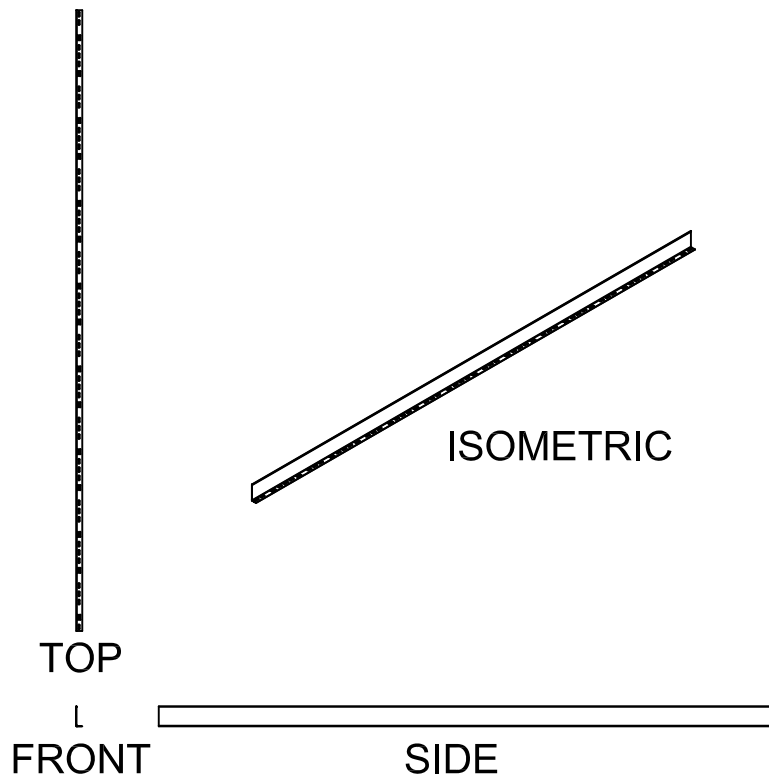


COT 54-105 DIVIDER STRIP



- BOTH THE COT 54 AND COT 105 DIVIDERS CAN BE INSTALLED USING FOLD OVER TABS ON THE DIVIDER.
- THE COT 105 HAS AN OPTIONAL HARDWARE KIT INCLUDED FOR INSTALLING THE DIVIDER.
- IF THE HARDWARE OPTION IS USED TO INSTALL THE COT 105 DIVIDER ONE HARDWARE KIT PER DIVIDER IS REQUIRED.
- THE KIT FOR THE COT 105 DIVIDER INCLUDES (4) EZ BN 1/4 BOLTS, (4) HEX NUTS AND (4) CE25 SQUARE WASHERS.

	in	mm	lb
COT 54	1.89	54	2.8
COT 105 KIT	3.78	105	4.4

PG GC 316L BL PE WH