

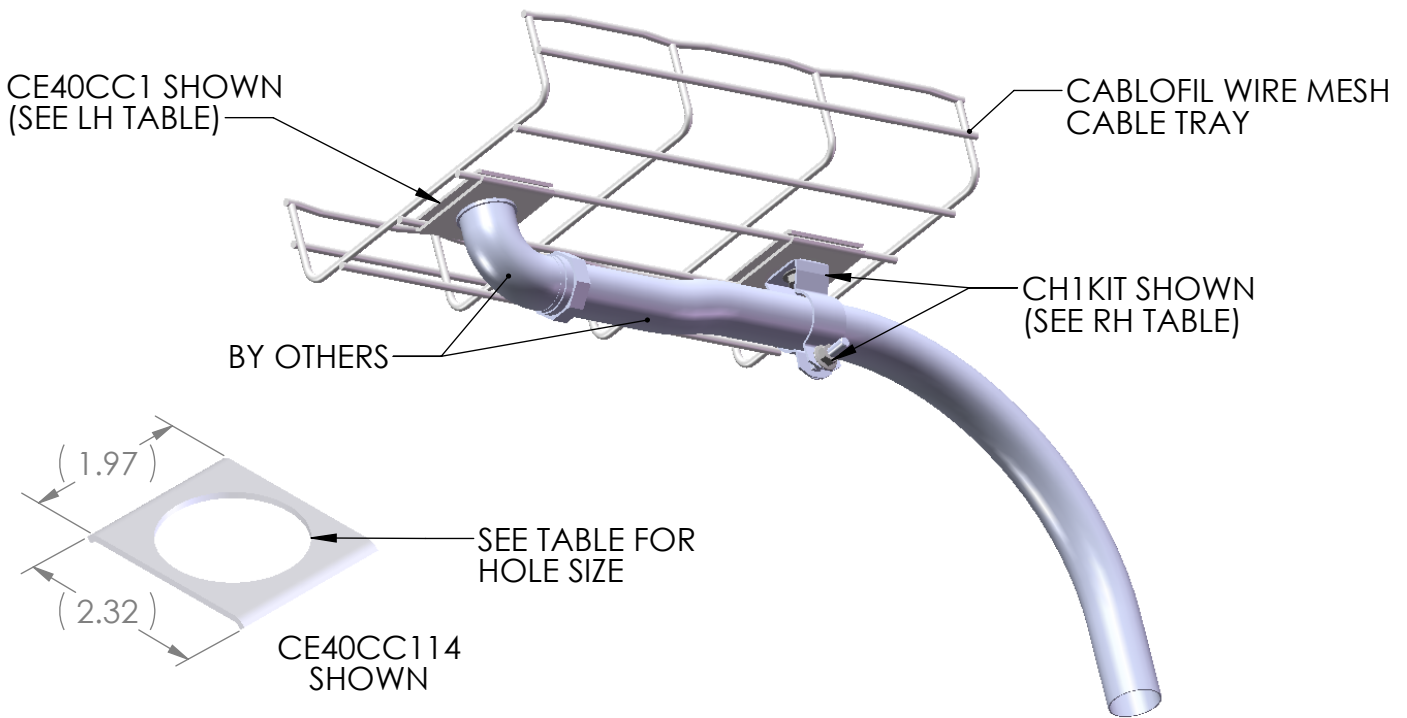
PART DESCRIPTION	HOLE SIZE	CONDUIT SIZE
CE40CC12	.82"	1/2"
CE40CC34	1.04"	3/4"
CE40CC1	1.29"	1"
CE40CC114	1.64"	1-1/4"

PART DESCRIPTION	CONDUIT CLAMP SIZE
CH12KIT	1/2"
CH34KIT	3/4"
CH1KIT	1"
CH114KIT	1-1/4"
CH112KIT	1-1/2"
CH2KIT	2"
CH212KIT	2-1/2"
CH3KIT	3"
CH312KIT	3-1/2"
CH4KIT	4"

NOTES:

1. ALL CE40CCXX WASHERS MATE TO BOTTOMS OF ALL TRAYS.
2. SIDE WIRE MATING FOR CE40CCXX LIMITED TO CF105/100 & CF105/150 TRAYS.
3. CHXX WASHERS MATE TO ALL TRAY BOTTOMS, INCLUDING ALL CF105 & CF150 SERIES TRAYS.

CHXXKIT'S INCLUDE: TWO CE40 WASHERS, ONE BOLT, NUT, AND CONDUIT HANGER



This drawing is the property of **CABLOFIL, INC.**

Cannot be copied or transferred to a third party without written authorization

DRAWN DWK DATE 10/25/07 CHECKED - DATE -

APP'D - DATE -

CE40CCXXX (BACK TO BACK FOR CONDUIT CLAMP) & CHXXXKIT (BACK TO BACK) WITH CONDUIT HANGER

CABLOFIL[®]

SCALE:	-
	-
	-
	-
	-
A	

CABCS1033