



WIRE BASKET PLASTIC INSERT WITH SIDES

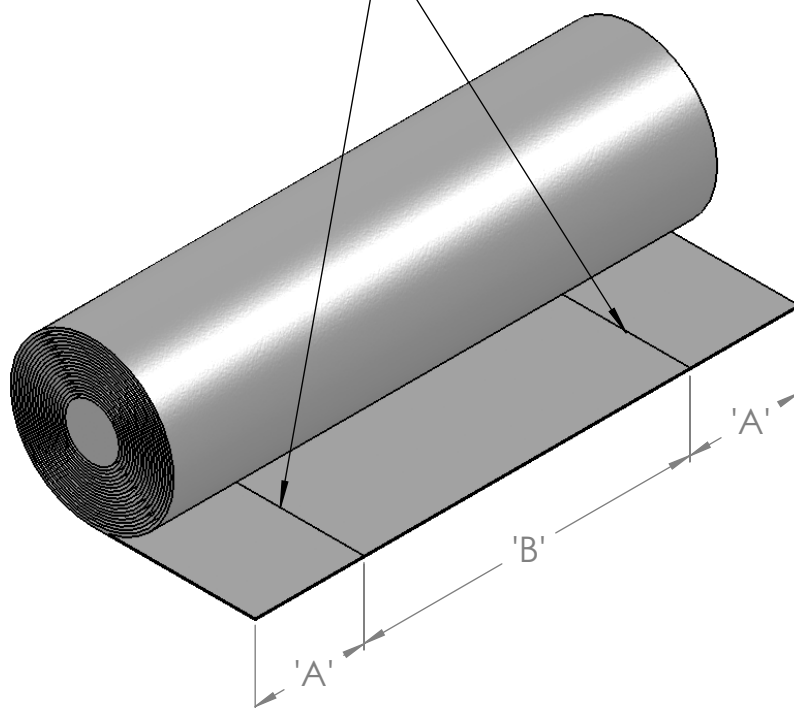
CF (& ZF) 54, 105, & 150 SERIES

INSERTPPxxx-xxx*

(Replace 'xxx's with appropriate tray depth & width in table)

PART NAME	'A' TRAY DEPTH	'B' TRAY WIDTH
INSERTPP54-100*	2.00	3.81
INSERTPP54-150*	2.00	5.78
INSERTPP54-200*	2.00	7.75
INSERTPP54-300*	2.00	11.69
INSERTPP54-450*	2.00	17.59
#INSERTPP54-600*	3.94	23.50
INSERTPP105-100*	3.94	3.81
INSERTPP105-150*	3.94	5.78
INSERTPP105-200*	3.94	7.75
INSERTPP105-300*	3.94	11.69
#INSERTPP105-450*	3.94	17.59
#INSERTPP105-500*	3.94	19.56
#INSERTPP105-600*	3.94	23.50
INSERTPP150-100*	5.90	3.81
INSERTPP150-150*	5.90	5.78
INSERTPP150-200*	5.90	7.75
INSERTPP150-300*	5.90	11.69
#INSERTPP150-450*	5.90	17.59
#INSERTPP150-500*	5.90	19.56
#INSERTPP150-600*	5.90	23.50

PERF LINES ALLOWS EASY FORMING OF SIDES



* INSERT COLOR SUFFIX, SEE BELOW

THIS SIZE REQUIRES TWO (2) SINGLE PERF PCS BUTTED/OVERLAPPED IN CENTER OF WIRE MESH

Material: POLYPROPYLENE

Perf locations: Ref 'A' in table for sides & 'B' for center portion

Thickness: .017"

Length: 200'

Quantity: 1

Color: BL (Black), WH (White), YL (Yellow)

Flame Class per UL 94 V-O

Outdoor UV: UL 746C - F1 rating

High Dielectric Strength

Low Moisture Absorption: <0.06%

RoHS Compliant

"Copyright LNA, Inc. Drawings are proprietary and may not be copied or otherwise duplicated or used without express written permission."

CABCS0715

200' LENGTH ROLLS
CAN EASILY BE CUT-
TO-LENGTH

Legrand
8319 State Rt. 4
Mascoutah, IL 62258 USA
800-658-4641
618-566-3250
Fax 618-566-4978
www.legrand.us/cablofil