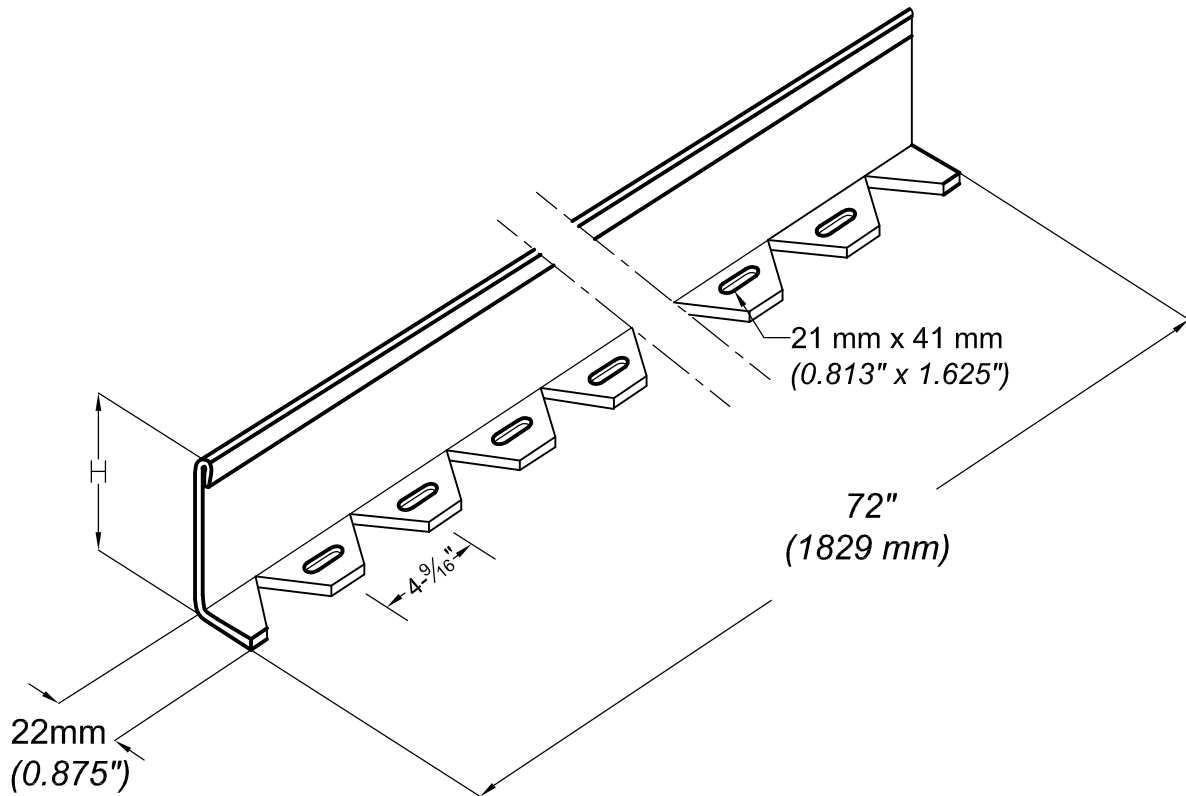


# COTF FLEXIBLE DIVIDER



Flexible Divider



- DIVIDERS PROVIDE FOR SEPARATION OF CABLES
- FLEXIBLE DIVIDER IS NOTCHED TO PERMIT FORMING TO SUIT HORIZONTAL DIRECTION CHANGES
- LENGTH: 6' (1830 mm)
- FIELD DRILL MOUNTING HOLES IN DIVIDER IF NECESSARY TO SUIT LOCATION IN TRAY
- HARDWARE MOUNTING KITS ARE INCLUDED. ONE KIT PER DIVIDER IS REQUIRED FOR INSTALLATION.
- KIT INCLUDES (3) EZ BN 1/4 BOLTS, (3) HEX NUTS AND (3) CE25 SQUARE WASHERS

	in	mm
COTF 54 KIT	1.89	54
COTF 105 KIT	3.78	105
COTF 150 KIT	5.91	150

PG GC 316L BL PE WH