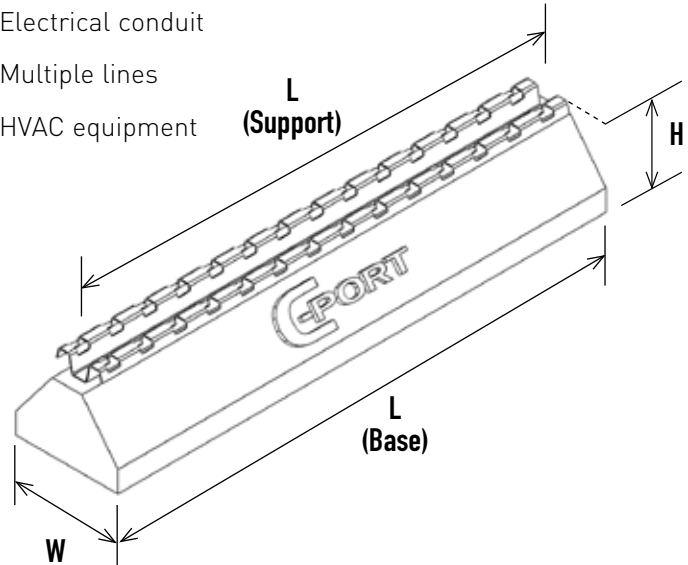


Standard Base (Curb Style) and Channel Support

APPLICATIONS

CPS/CPP with FAS P or Channel Support is designed for superior support of:

- Wire mesh and ladder cable tray
- Gas and refrigeration piping systems
- Electrical conduit
- Multiple lines
- HVAC equipment



FEATURES

- Install on any roofing material or other flat surface
- FAS Profile supports and secures wire mesh tray without additional clamps or additional hardware
- 14 ga. - 13/16" galvanized channel supports ladder tray, piping or other materials
- Channel can be used to support wire mesh cable tray (secure with FS41 Spring Clips)
- CPS/CPP maximum load 750 lbs. (CPS5/CPP5 – maximum load 200 lbs.)
- Can be used as a curb (sleeper) replacement
- 100% recycled rubber construction assists with building qualification for LEED credits.

PRODUCT NUMBER	SUPPORT	HEIGHT	SUPPORT LENGTH	BASE LENGTH	WEIGHT	FINISHES		
						STANDARD FINISH	OPTIONAL FINISHES	
						PG	S4	GC
CPP5	FAS P	5"	6"	5"	3.0	943529	943541	943553
CPP10		5"	12"	9.6"	5.0	943530	943542	943554
CPP20		5"	24"	22"	11.0	943531	943543	943555
CPP30		5"	30"	28.8"	16.1	943532	943544	943556
CPS5	STRUT	4-7/8"	6"	5"	-	-	-	-
CPS10		4-7/8"	10"	9.6"	5.3	943535	943547	943559
CPS20		4-7/8"	22"	22"	11.2	943537	943549	943561
CPS30		4-7/8"	28"	28.8"	16.3	943538	943550	943562

Legrand/Cablofil
 8319 State Route 4
 Mascoutah, IL 62258 USA
 1-800-658-4641
 618-566-3230
 Fax 618-566-3250
www.legrand.us/cablofil