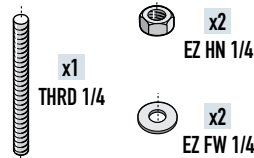
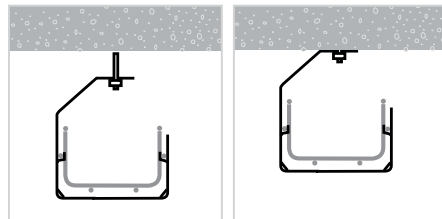
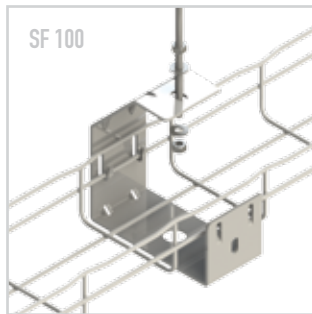


The improved SF 50/100 can now be attached directly to the ceiling with power tools. A large hole has been added to allow power driven screws and bolts access thru the bottom of the bracket.

FEATURES

- Use SF 50 for center hanging 2" tray, SF 100 for 4" tray.
- Fold-over tabs secure tray without additional hardware.
- Threaded rod, nuts and washers sold separately.
- Optional THRD 5/16".
- Can be attached directly to ceiling with power tools thru access holes.



	WIDTH		WEIGHT		PG	GC	316L	BL	PE
	INCHES	CM	LBS	KG					
SF 50	2"	50	0.4	0.2	586 140	586 143	586 144	942 593	942 594
SF 100	4"	100	0.9	0.4	586 100	586 103	-	942 840	942 606

FINISHES		
SYMBOL	MATERIAL	FINISH & STANDARD
PG	Carbon Steel	Pre-Galvanized: Continuous Galvanization Before Fabrication ASTM A 653
GC	Carbon Steel ASTM A510 Grade 1008	Hot Dipped Galvanized: After Fabrication ASTM A 123
316L	Stainless Steel AISI Type 316L	Stainless Steel 316L: Cleaned and Passivated ASTM A 380
BL	Carbon Steel ASTM A510 Grade 1008	Black Painted: Black Powder Coated ASTM D 3451
PE	Carbon Steel ASTM A510 Grade 1008	Custom Painted: Custom Color Powder Coated ASTM D 3451

Legrand/Cablofil
8319 State Route 4
Mascoutah, IL 62258 USA
1-800-658-4641
618-566-3230
Fax 618-566-3250
www.legrand.us/cablofil