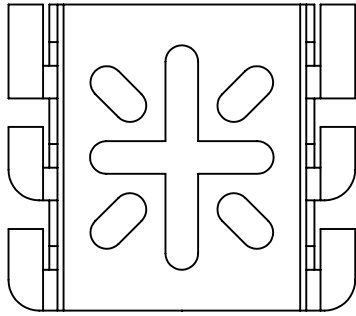


# C 50 WALL MOUNT ATTACHMENT

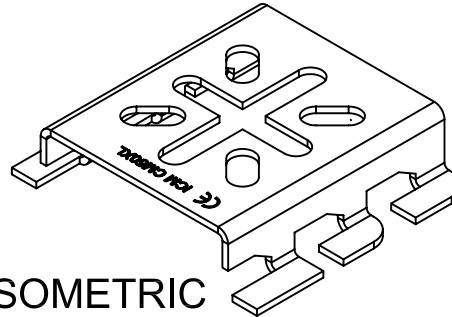
# CABLOFIL®

INNOVATORS IN CABLE MANAGEMENT

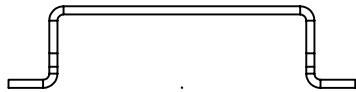
8319 State Route 4  
 Mascoutah IL 62258  
 Phone: 800-658-4641  
 618-566-3230  
 Fax: 618-566-3250  
[www.cablofil.com](http://www.cablofil.com)



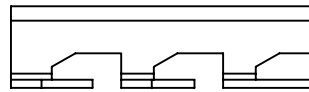
TOP



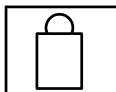
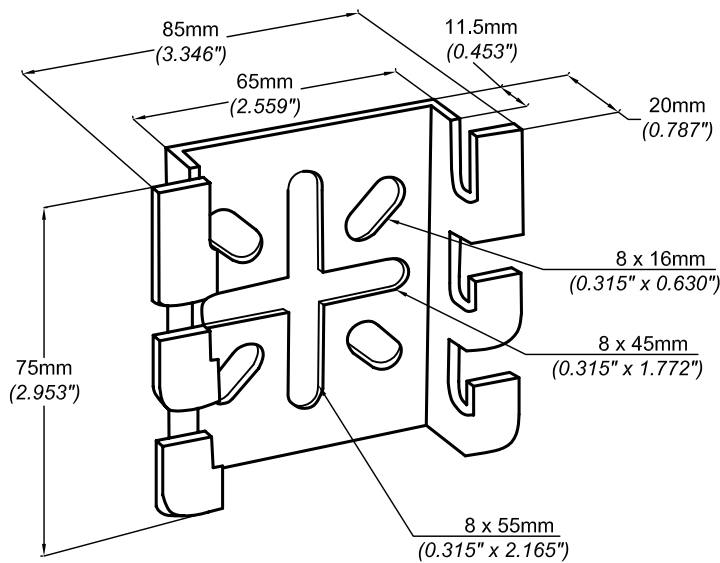
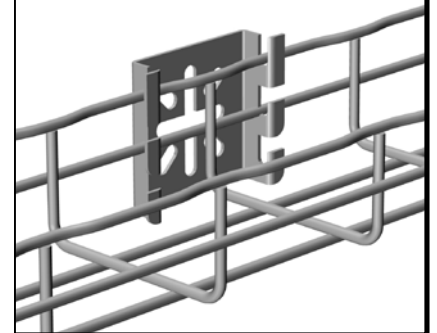
ISOMETRIC



FRONT



SIDE



lb

C 50

0.221

PG

GC

316L

BL

PE