

FEATURES

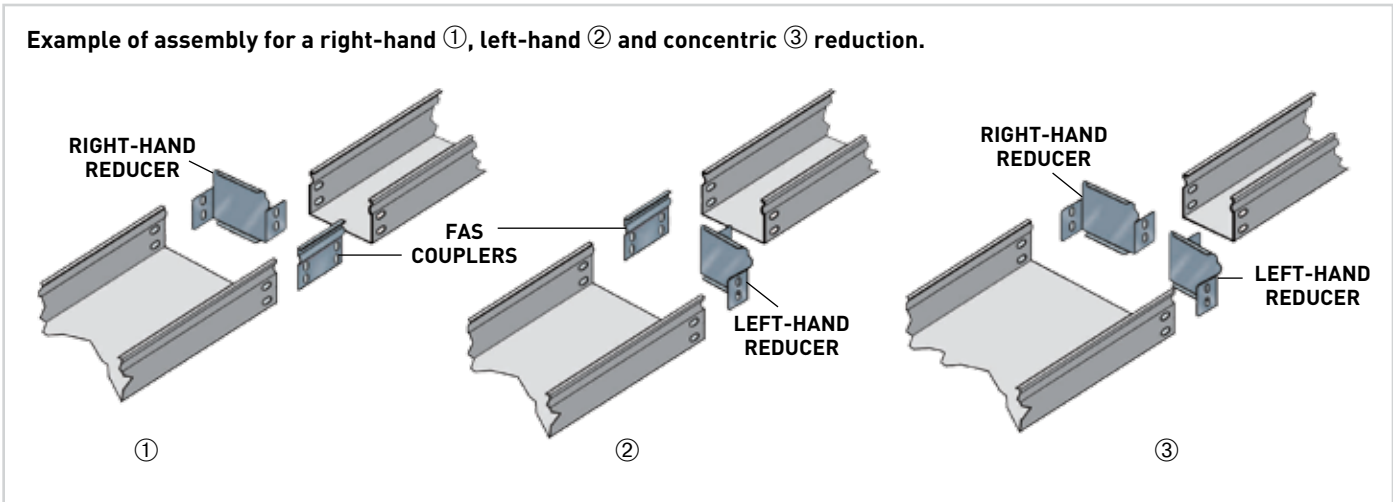
- Rigid steel construction
- Connects straight sections and fittings of different widths

RELATED PRODUCTS

FTEF FAS Coupler

FTLHR Left-hand Reducer

	PACK	HEIGHT		REDUCTION		PG	BL
		IN	MM	IN	MM		
	PCS					STANDARD	
FTRHR 50/25	1	2	50	1	25	341 550	960 148
FTRHR 50/50	1	2	50	2	50	341 551	960 149
FTRHR 50/100	1	2	50	4	100	341 552	960 150
FTRHR 50/150	1	2	50	6	150	341 553	960 151
FTRHR 50/200	1	2	50	8	200	341 554	960 152
FTRHR 100/50	1	4	100	2	50	341 669	960 164
FTRHR 100/100	1	4	100	4	100	341 670	960 165
FTRHR 100/150	1	4	100	6	150	341 671	960 166



FINISHES		
SYMBOL	MATERIAL	FINISH & STANDARD
STANDARD	PG	Carbon Steel Pre-Galvanized: Continuous Galvanization Before Fabrication ASTM A 653
	BL	Carbon Steel ASTM A510 Grade 1008 Black Painted: Black Powder Coated ASTM D 3451

Legrand/Cablofil
8319 State Route 4
Mascoutah, IL 62258 USA
1-800-658-4641
618-566-3230
Fax 618-566-3250
www.legrand.us/cablofil