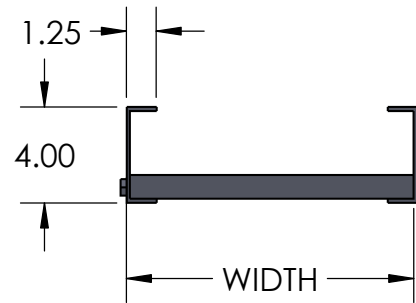
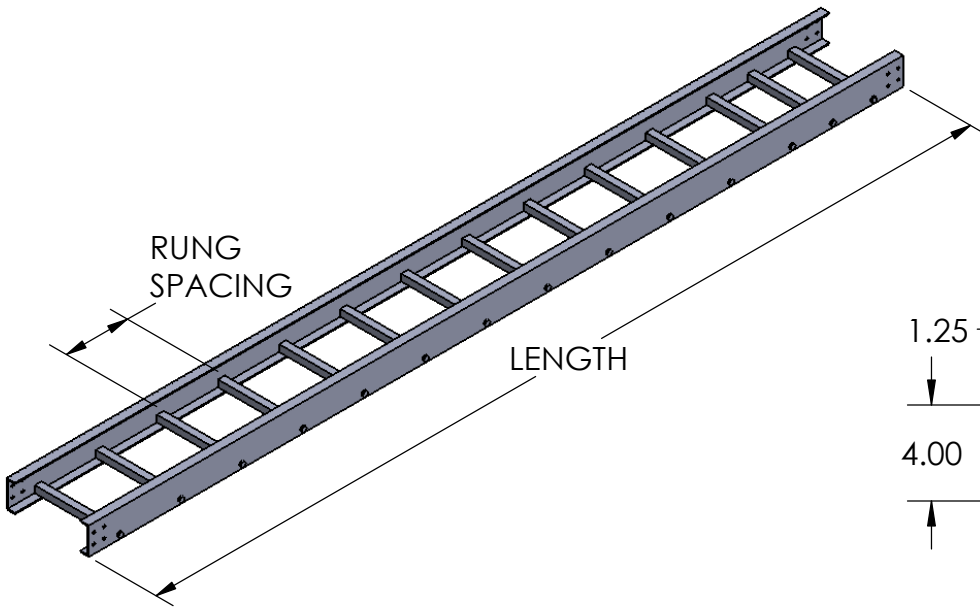


PW Ladder Cable Tray Straight Section

7400

4"H Side Rail Tray



- **Material:** Pultruded from Glass Fiber Reinforced Fire Retardant Polyester Resin.
- **Finish:** Plain
- **Bottom:** Ldr = 1" square tube rung
- **Construction:** M10x30 Hex Bolts with Expansion Collets
- **Tray Design:** Tray construction and markings are per the latest edition of NEMA Standards.
- **NEMA Class:** 12B
- **Connectors:** Supplied in pairs with hardware.

Tray Width (W)	Tray Weight * (LBS./FT.)
6	1.82
9	1.93
12	2.05
18	2.28
24	2.51
30	2.74
36	2.96

* Based on 9" Rung Spacing

SUPPORT SPAN (FT.)																	
6	8	10	12	14	16	18	20										
SAFE LOAD DATA (LBS./FT.) / DEFLECTION (IN.) / SAFETY FACTOR 1.5																	
196	0.38	164	0.85	138	1.61	80	2.08	56	2.57	41	3.04						

FIBERGLASS STRAIGHT SECTION CATALOG NUMBERING EXAMPLE:

BOTTOM TYPE ← 09 - 7400 - 0020 - 24

06 - 6" Rung Spacing
09 - 9" Rung Spacing
12 - 12" Rung Spacing

TRAY SYSTEM NUMBER
This identifies the specific tray design and is used as a product number prefix for straight sections.

LENGTH
0010 - 10'-0"
0020 - 20'-0"

WIDTH
06 - 6"
09 - 9"
12 - 12"
18 - 18"
24 - 24"
30 - 30"
36 - 36"

Legrand
8319 State Route 4
Mascoutah, IL 62258 USA
800-658-4641
618-566-3230
Fax 618-566-3250
www.legrand.us/cablofil