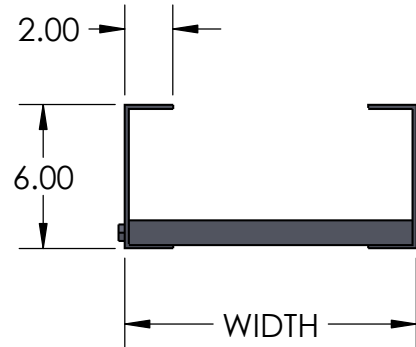
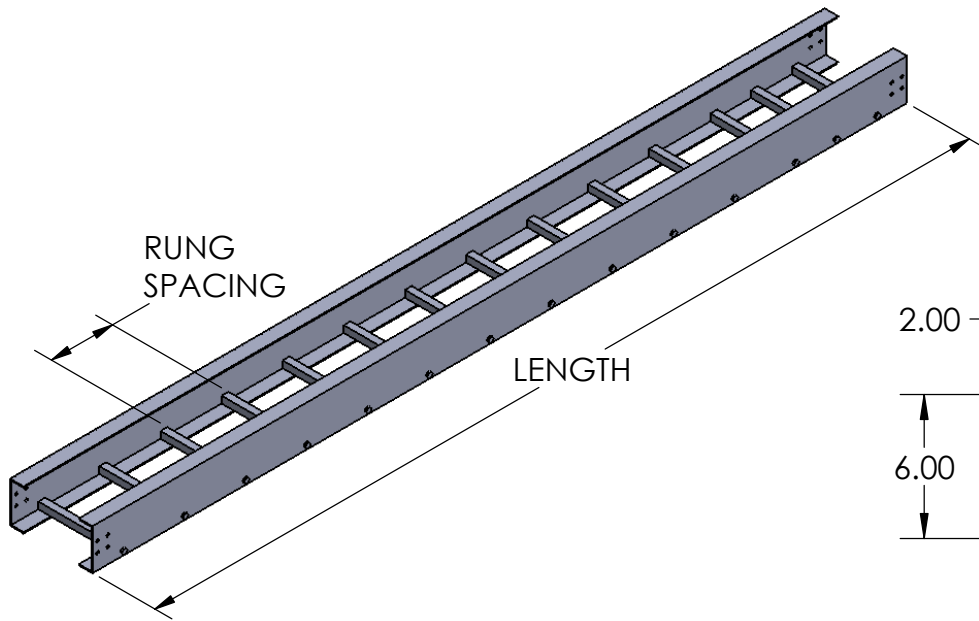


PW Ladder Cable Tray Straight Section

7615

6"H Side Rail Tray



- **Material:** Pultruded from Glass Fiber Reinforced Fire Retardant Polyester Resin
- **Finish:** Plain
- **Bottom:** Ldr = 1" square tube rung
- **Construction:** M10x30 Hex Bolts with Expansion Collets
- **Tray Design:** Tray construction and markings are per the latest edition of NEMA Standards.
- **NEMA Class:** 12C
- **Connectors:** Supplied in pairs with hardware.

| Tray Width (W) | Tray Weight* (LBS./FT.) |
|----------------|-------------------------|
| 6 | 2.66 |
| 9 | 2.77 |
| 12 | 2.89 |
| 18 | 3.12 |
| 24 | 3.35 |
| 30 | 3.58 |
| 36 | 3.80 |

* Based on 9" Rung Spacing

| SUPPORT SPAN (FT.) | | | | | | | | | | | | | | |
|--|---|-----|------|-----|------|-----|------|-----|------|----|------|----|------|--|
| 6 | 8 | 10 | 12 | 14 | 16 | 18 | 20 | | | | | | | |
| SAFE LOAD DATA (LBS./FT.) / DEFLECTION (IN.) / SAFETY FACTOR 1.5 | | | | | | | | | | | | | | |
| | | 174 | 0.53 | 159 | 0.88 | 128 | 1.24 | 105 | 1.59 | 82 | 1.95 | 50 | 2.45 | |

FIBERGLASS STRAIGHT SECTION CATALOG NUMBERING EXAMPLE:

BOTTOM TYPE ← 09 - 7615 - 0020 - 24

- 06 - 6" Rung Spacing
- 09 - 9" Rung Spacing
- 12 - 12" Rung Spacing

TRAY SYSTEM NUMBER

This identifies the specific tray design and is used as a product number prefix for straight sections.

LENGTH

- 0010 - 10'-0"
- 0020 - 20'-0"

WIDTH

- 06 - 6"
- 09 - 9"
- 12 - 12"
- 18 - 18"
- 24 - 24"
- 30 - 30"
- 36 - 36"

Legrand
 8319 State Route 4
 Mascoutah, IL 62258 USA
 800-658-4641
 618-566-3230
 Fax 618-566-3250
www.legrand.us/cablofil