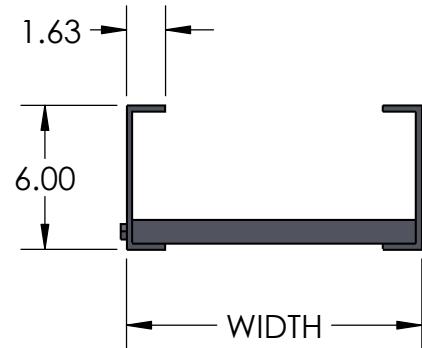
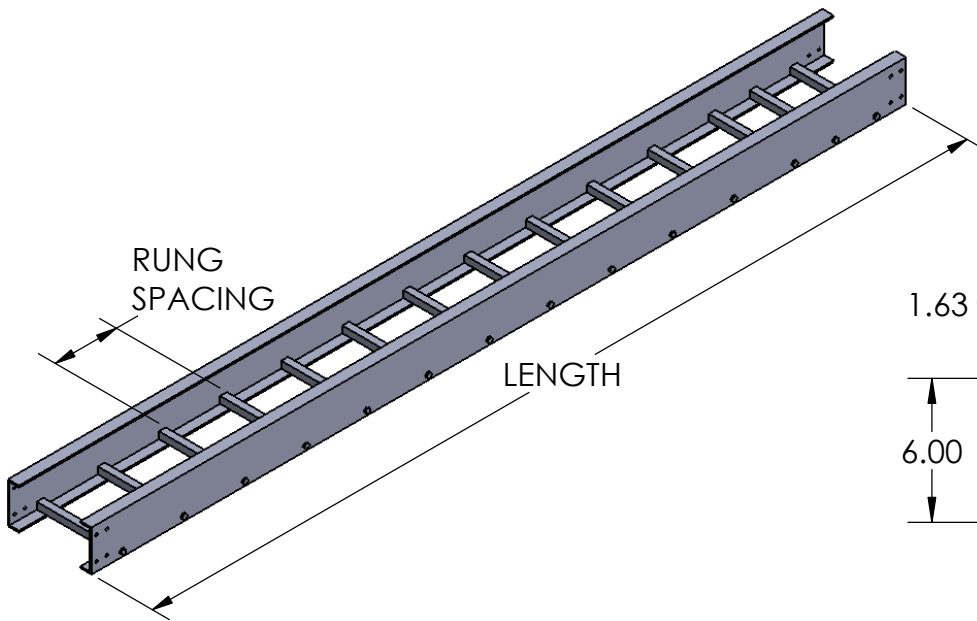


PW Ladder Cable Tray Straight Section

7625

6"H Side Rail Tray



- **Material:** Pultruded from Glass Fiber Reinforced Fire Retardant Polyester Resin
- **Finish:** Plain
- **Bottom:** Ldr = 1" square tube rung
- **Construction:** M10x30 Hex Bolts with Expansion Collets and Adhesive
- **Tray Design:** Tray construction and markings are per the latest edition of NEMA Standards
- **NEMA Class:** 20C
- **Connectors:** Supplied in pairs with hardware

| Tray Width (W) | Tray Weight * (LBS./FT.) |
|----------------|--------------------------|
| 6 | 3.70 |
| 9 | 3.81 |
| 12 | 3.93 |
| 18 | 4.16 |
| 24 | 4.39 |
| 30 | 4.62 |
| 36 | 4.84 |

* Based on 9" Rung Spacing

| SUPPORT SPAN (FT.) | | | | | | | | | | | | | | |
|--|---|----|-----|------|-----|------|-----|------|-----|------|-----|------|-----|------|
| 6 | 8 | 10 | 12 | 14 | 16 | 18 | 20 | | | | | | | |
| SAFE LOAD DATA (LBS./FT.) / DEFLECTION (IN.) / SAFETY FACTOR 1.5 | | | | | | | | | | | | | | |
| | | | 278 | 1.25 | 246 | 2.03 | 215 | 2.79 | 183 | 3.56 | 152 | 4.31 | 120 | 5.09 |

FIBERGLASS STRAIGHT SECTION CATALOG NUMBERING EXAMPLE:

BOTTOM TYPE ← 09 - 7625 - 0020 - 24

06 - 6" Rung Spacing
09 - 9" Rung Spacing
12 - 12" Rung Spacing

TRAY SYSTEM NUMBER
This identifies the specific tray design and is used as a product number prefix for straight sections.

LENGTH
0010 - 10'-0"
0020 - 20'-0"

WIDTH
06 - 6"
09 - 9"
12 - 12"
18 - 18"
24 - 24"
30 - 30"
36 - 36"

Legrand
8319 State Route 4
Mascoutah, IL 62258 USA
800-658-4641
618-566-3230
Fax 618-566-3250
www.legrand.us/cablofil