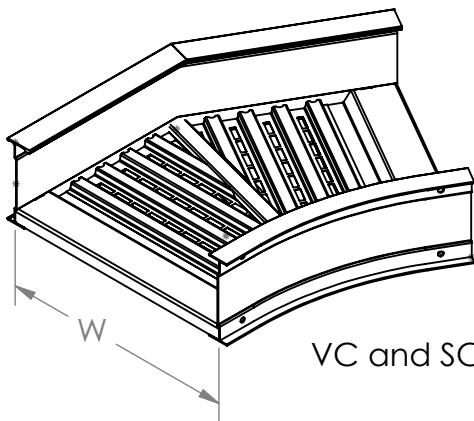


PW Ladder Cable Tray Horizontal Fitting

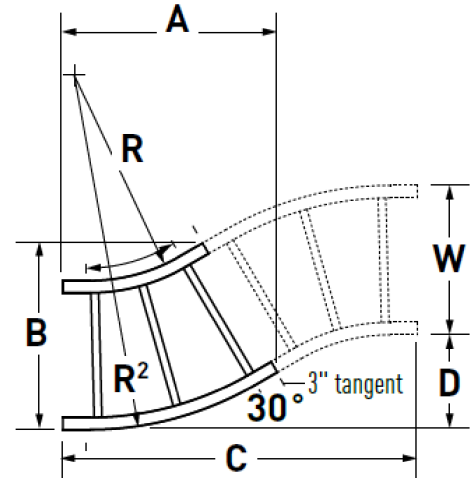
30HB Horizontal 30° Elbow



LD and SB



VC and SC



Radius R	Width W	Radius 2 R2	A	B	C	D
12	6	18	14 1/2	9 1/8	26 1/4	7
	9	21	16 1/8	12 1/8	27 3/4	7 3/8
	12	24	17 5/8	15 1/8	29 1/4	7 7/8
	18	30	20 5/8	21 1/8	32 1/4	8 5/8
	24	36	23 5/8	27 1/8	35 1/4	9 3/8
	30	42	26 5/8	33 1/8	38 1/4	10 1/4
24	6	30	20 5/8	10 3/4	38 1/4	10 1/4
	9	33	22 1/8	13 3/4	39 3/4	10 5/8
	12	36	23 5/8	16 3/4	41 1/4	11
	18	42	26 5/8	22 3/4	44 1/4	11 7/8
	24	48	29 5/8	28 3/4	47 1/4	12 5/8
	30	54	32 5/8	34 3/4	50 1/4	13 1/2
36	6	42	26 5/8	12 3/8	50 1/4	13 1/2
	9	45	28 1/8	15 3/8	51 3/4	13 7/8
	12	48	29 5/8	18 3/8	53 1/4	14 1/4
	18	54	32 5/8	24 3/8	56 1/4	15
	24	60	35 5/8	30 3/8	59 1/4	15 7/8
	30	66	38 5/8	36 3/8	62 1/4	16 5/8
36	72	41 5/8	42 3/8	65 1/4	17 1/2	

ITRAY HORIZONTAL ELBOW CATALOG NUMBERING EXAMPLE:

BOTTOM TYPE ← LD - 4 A - 30HB 12 - 06 → **WIDTH**

VENTED
LD - Ladder Rung
VC - Vented Corrugated

NON-VENTED
SC - Solid Corrugated
SB - Solid Bottom

RAIL HEIGHT
4 - 4"
5 - 5"
6 - 6"
7 - 7"

MATERIAL
A

FITTING CODE
30

RADIUS
12 - 12"
24 - 24"
36 - 36"

- **Material:** Aluminum Alloy 6063 and 5052
- **Finish:** Plain
- **Bottom:** LD: 1" wide rung
SB: Flat sheet over Rung
SC: Solid Corrugated
VC: Vented Corrugated
- **Construction:** Welded
- **Tray Design:** Tray construction and markings are per the latest edition of NEMA Standards Publication VE1, CSA C22.2 No. 126
- **Connectors:** All fittings are supplied with necessary connectors and fasteners
- **Fittings heights (H):** 4", 5", 6", 7"