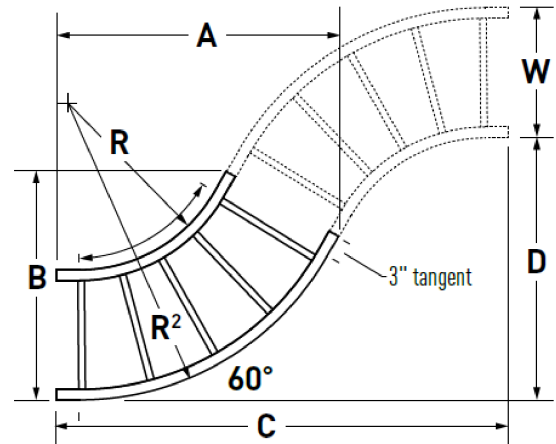
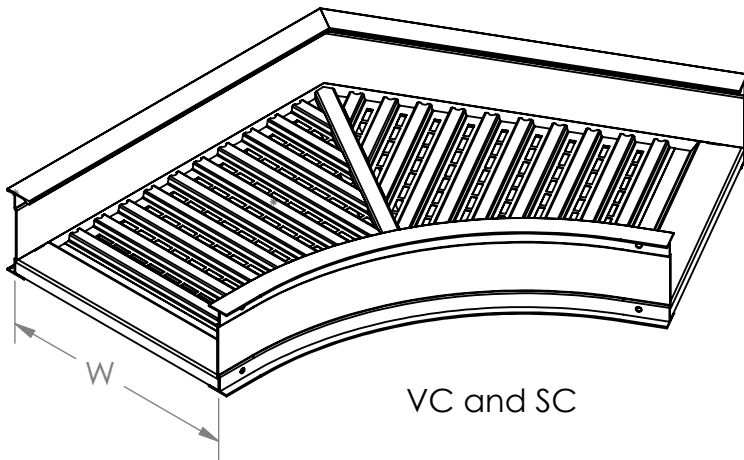
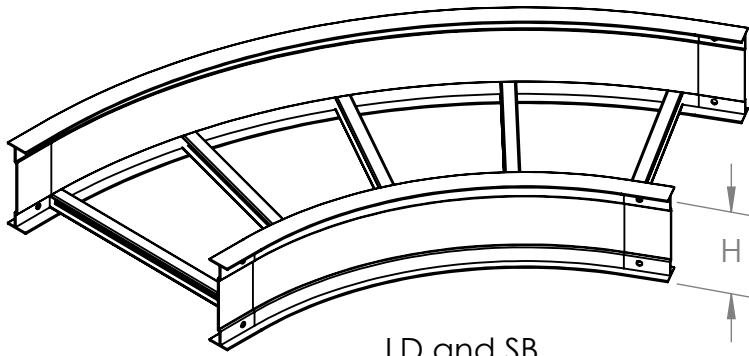


PW Ladder Cable Tray Horizontal Fitting **60HB** Horizontal 60° Elbow



Radius R	Width W	Radius 2 R2	A	B	C	D
12	6	18	20 1/8	14 5/8	35	20 1/4
	9	21	22 5/8	17 5/8	37 5/8	21 3/4
	12	24	25 1/4	20 5/8	40 1/8	23 1/4
	18	30	30 1/2	26 5/8	45 3/8	26 1/4
	24	36	35 5/8	32 5/8	50 5/8	29 1/4
	30	42	40 7/8	38 5/8	55 3/4	32 1/4
24	6	30	30 1/2	20 5/8	55 3/4	32 1/4
	9	33	33 1/8	23 5/8	58 3/8	33 3/4
	12	36	35 5/8	26 5/8	61	35 1/4
	18	42	40 7/8	32 5/8	66 1/8	38 1/4
	24	48	46 1/8	38 5/8	71 3/8	41 1/4
	30	54	51 1/4	44 5/8	76 1/2	44 1/4
36	6	42	40 7/8	26 5/8	76 1/2	44 1/4
	9	45	43 1/2	29 5/8	79 1/8	45 3/4
	12	48	46 1/8	32 5/8	81 3/4	47 1/4
	18	54	51 1/4	38 5/8	87	50 1/4
	24	60	56 1/2	44 5/8	92 1/8	53 1/4
	30	66	61 5/8	50 5/8	97 3/8	56 1/4
	36	72	66 7/8	56 5/8	102 1/2	59 1/4

ITRAY HORIZONTAL ELBOW CATALOG NUMBERING EXAMPLE:

BOTTOM TYPE	LD - 4 A - 60 HB 12 - 0 6	WIDTH
VENTED		06 - 6"
LD - Ladder Rung		09 - 9"
VC - Vented Corrugated		12 - 12"
NON-VENTED		18 - 18"
SC - Solid Corrugated		24 - 24"
SB - Solid Bottom		30 - 30"
		36 - 36"
RAIL HEIGHT	4	
	5	
	6	
	7	
MATERIAL	A	
FITTING CODE	60 HB	
RADIUS	12	
	24	
	36	

- **Material:** Aluminum Alloy 6063 and 5052
- **Finish:** Plain
- **Bottom:** LD: 1" wide rung
SB: Flat sheet over Rung
SC: Solid Corrugated
VC: Vented Corrugated
- **Construction:** Welded
- **Tray Design:** Tray construction and markings are per the latest edition of NEMA Standards Publication VE1, CSA C22.2 No. 126
- **Connectors:** All fittings are supplied with necessary connectors and fasteners
- **Fittings heights (H):** 4", 5", 6", 7"