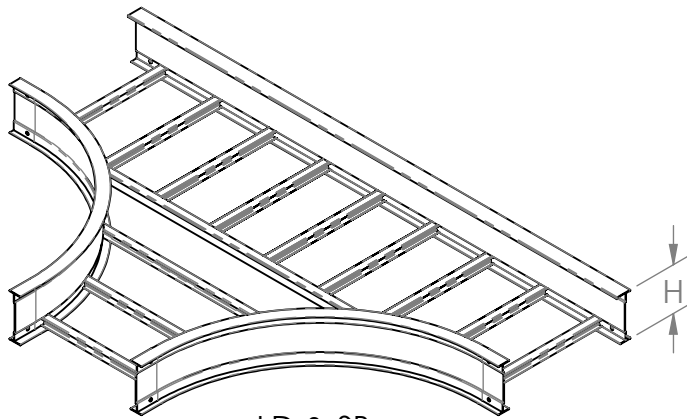
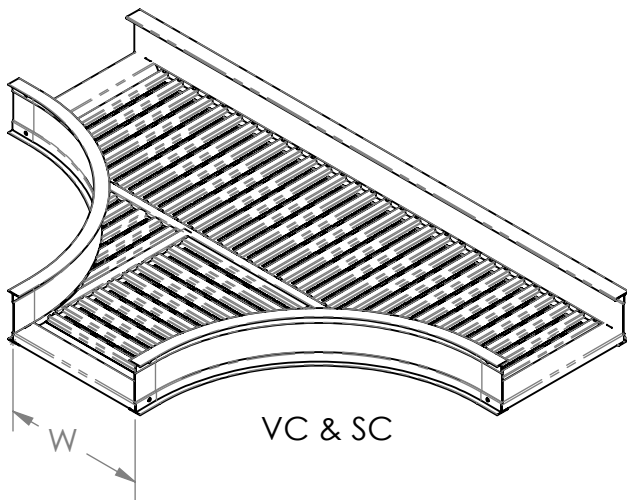


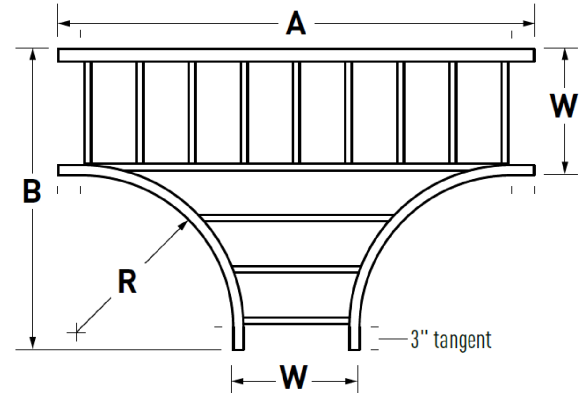
## HT Standard Horizontal Tee



LD & SB



VC & SC



RADIUS R	WIDTH W	A	B
12	6	36	21
	9	39	24
	12	42	27
	18	48	33
	24	54	39
	30	60	45
24	36	66	51
	6	60	33
	9	63	36
	12	66	39
	18	72	45
	24	78	51
36	30	84	57
	36	90	63
	6	84	45
	9	87	48
	12	90	51
	18	96	57
	24	102	63
	30	108	69
	36	114	75

- **Material:** Aluminum Alloy 6063 and 5052
- **Finish:** Plain
- **Bottom:** LD: 1" wide rung  
SB: Flat sheet over Rung  
VC: Vented Corrugated  
SC: Solid Corrugated
- **Construction:** Welded
- **Tray Design:** Tray construction and markings are per the latest edition of NEMA Standards Publication VE1, CSA C22.2 No. 126
- **Connectors:** All fittings are supplied with necessary connectors and fasteners
- **Fitting heights (H):** Tray height: 4, 5, 6, 7"
- **Width (W):** Tray width: 6", 9", 12", 18", 24", 30", 36"

**ITRAY VERTICAL TEE CATALOG NUMBERING EXAMPLE:**

**BOTTOM TYPE** ← VC - 4 A - HT 24 - 09 → **WIDTH**

<b>VENTED</b>	<b>RAIL HEIGHT</b>	<b>FITTING CODE</b>	<b>RADIUS</b>	06 - 6"
LD - Ladder Rung				09 - 9"
VC - Vented Corrugated	4 - 4"	<b>MATERIAL</b>	A	12 - 12"
<b>NON-VENTED</b>	5 - 5"			18 - 18"
SC - Solid Corrugated	6 - 6"			24 - 24"
SB - Solid Bottom	7 - 7"			30 - 30"
				36 - 36"

**Legrand**  
8319 State Route 4  
Mascoutah, IL 62258 USA  
800-658-4641  
618-566-3230  
Fax 618-566-3250  
www.legrand.us/cablofil