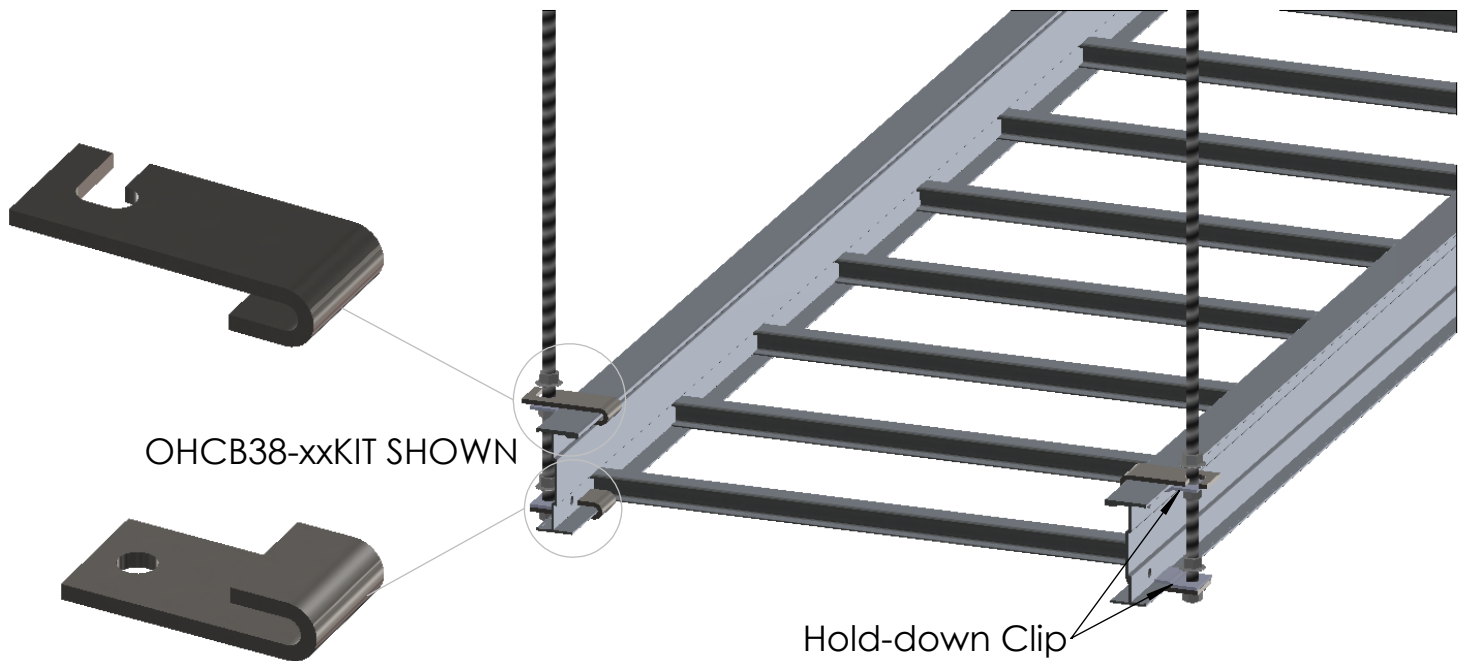




PW Ladder Cable I-Tray Hanger Bracket

Overhead Style OHCB38-xxKIT & OHCB12-xxKIT ('xx' represents component finish)



Material: Steel

Load Rating: 1,200 lbs/pr (S.F.: 3X)

Finishes: ZN, PE, GC, 316L

Threaded Rod Size: 3/8" or 1/2"

Width: 1-1/2"

Kit Includes: 8 SFHN
2 Top Brackets
2 Bottom Brackets
4 Hold-down Clips

"Copyright LNA, Inc. Drawings are proprietary and may not be copied or otherwise duplicated or used without express written permission."

CABCS1198

Legrand
8319 State Rt. 4
Mascoutah, IL 62258 USA
800-658-4641
618-566-3250
Fax 618-566-4978
www.legrand.us/cablofil