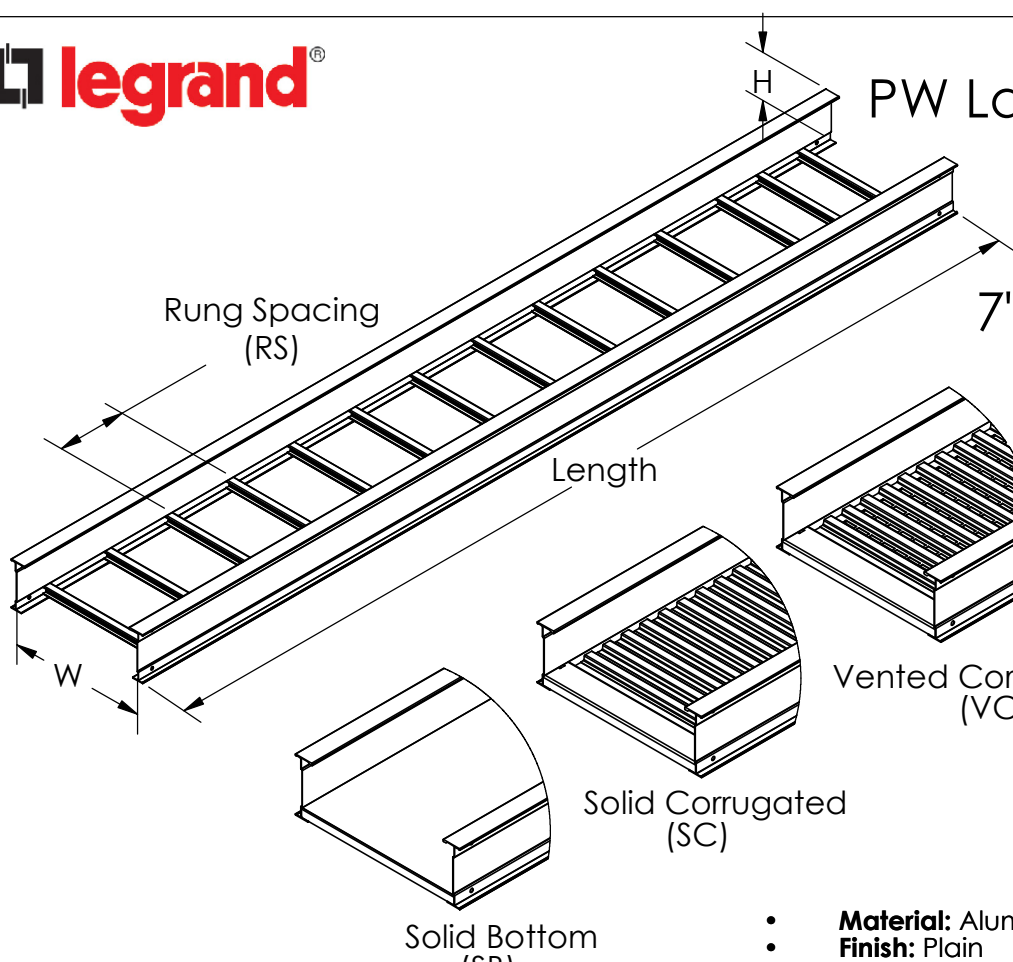
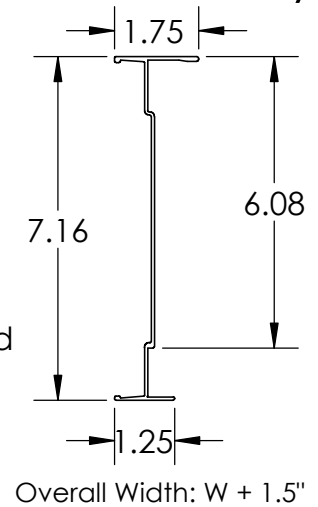




PW Ladder Cable Tray Straight Section



7A12C 7"(H) Side Rail Tray



- **Material:** Aluminum Alloy 6063-T6
- **Finish:** Plain
- **Bottom:** Ldr: 1" wide I rung
SB: Flat Sheet over 12" Rung Spacing.
SC: Solid Corrugated
VC: Vented Corrugated
- **Construction:** Welded
- **Tray Design:** Tray construction and markings are per the latest edition of NEMA Standards Publication VE1, CSA C22.2 No. 126.
- **Tray Grounding Capability:** Classified as an equipment grounding conductor per NEC 392.60 with a maximum 1600 ampere rating. UL Cross Sectional area: 1.50 in²
- **Connectors:** Supplied in pairs with hardware. Splice resistance is less than 0.00033 ohms.
- **Mechanical Properties:**
One rail: Ix-x = 5.403 in⁴, Sx-x = 1.106 in³

Tray Width (W)	Tray Weight* (LBS./FT.)
6	2.10
9	2.17
12	2.25
18	2.40
24	2.71
30	2.90
36	3.09

* Based on 9" Rung Spacing

SUPPORT SPAN (FT.)

6	8	10	12	14	16	18	20	22	24	26	28	30
---	---	----	----	----	----	----	----	----	----	----	----	----

SAFE LOAD DATA (LBS./FT.)/ DEFLECTION (IN.) / SAFETY FACTOR 1.5

400	0.15	225	0.27	144	0.42	100	0.61	71	0.83	52	1.08														
-----	------	-----	------	-----	------	-----	------	----	------	----	------	--	--	--	--	--	--	--	--	--	--	--	--	--	--

ITRAY STRAIGHT SECTION CATALOG NUMBERING EXAMPLE:

← **09 - 7 A 12 C - S 144 - 06** →

BOTTOM TYPE (09 - 9" Rung Spacing)
RAIL HEIGHT (7 - 7")
NEMA CLASS (A)
MATERIAL (S - Solid Corrugated)
LENGTH* (144 - 144")
WIDTH (06 - 6")

VENTED
 06 - 6" Rung Spacing
 09 - 9" Rung Spacing
 12 - 12" Rung Spacing
 VC - Vented Corrugated
NON-VENTED
 SC - Solid Corrugated
 SB - Solid Bottom

Legrand
 8319 State Route 4
 Mascoutah, IL 62258 USA
 800-658-4641
 618-566-3230
 Fax 618-566-3250
 www.legrand.us/cablofil