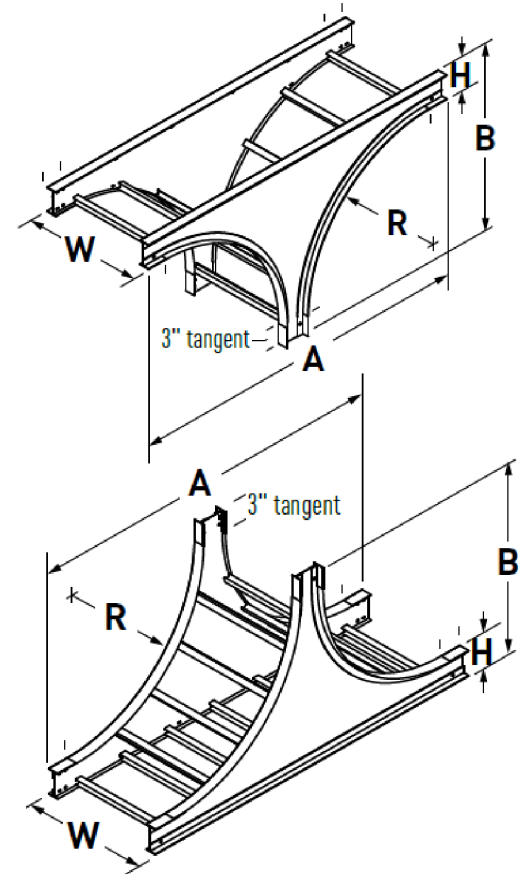
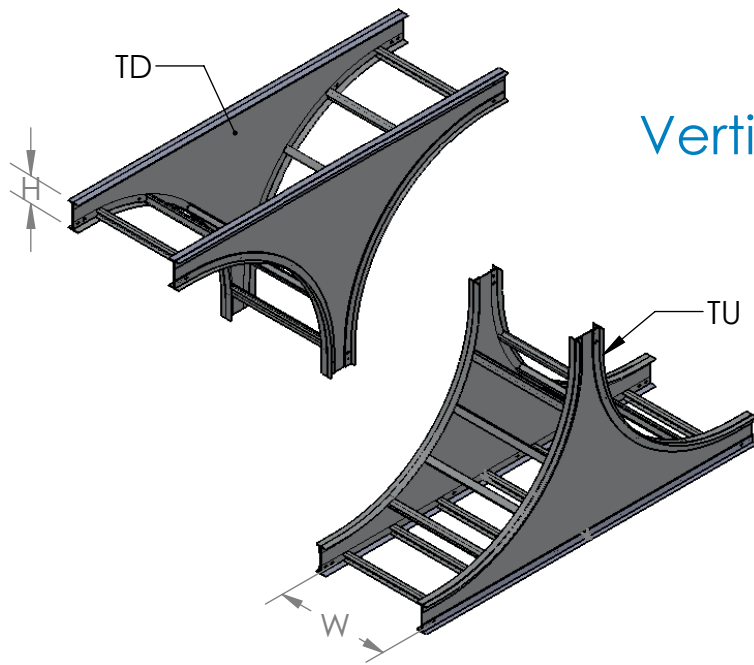


TD/TU Vertical Tee Up and Tee Down



ITRAY VERTICAL TEE CATALOG NUMBERING EXAMPLE:

BOTTOM TYPE		← VC - 4 A - TU 24 - 09 →			WIDTH		
VENTED		RAIL HEIGHT	FITTING CODE	RADIUS	06 - 6"		
LD - Ladder Rung	4 - 4"				TU	24 - 24"	09 - 9"
NON-VENTED		MATERIAL	TU	TD	12 - 12"		
VC - Vented Corrugated	5 - 5"				A	24 - 24"	18 - 18"
SC - Solid Corrugated	6 - 6"					30 - 30"	24 - 24"
SB - Solid Bottom	7 - 7"				36 - 36"		

- **Material:** Aluminum Alloy 6063 and 5052
- **Finish:** Plain
- **Bottom:** LD: 1" wide rung
SB: Flat sheet over Rung
SC: Solid Corrugated
VC: Vented Corrugated
- **Construction:** Welded
- **Tray Design:** Tray construction and markings are per the latest edition of NEMA Standards Publication VE1, CSA C22.2 No. 126
- **Connectors:** All fittings are supplied with necessary connectors and fasteners
- **Fitting heights (H):** can be 4, 5, 6, and 7 inches tall
- **Tee Up** fittings have rungs or bottom members for cable support across the bottom of the fitting.

WIDTH W	RADIUS R	RAIL HEIGHT H	A	B
ALL	24	4	58	31
		5	59	32
		6	60	33
		7	61	34