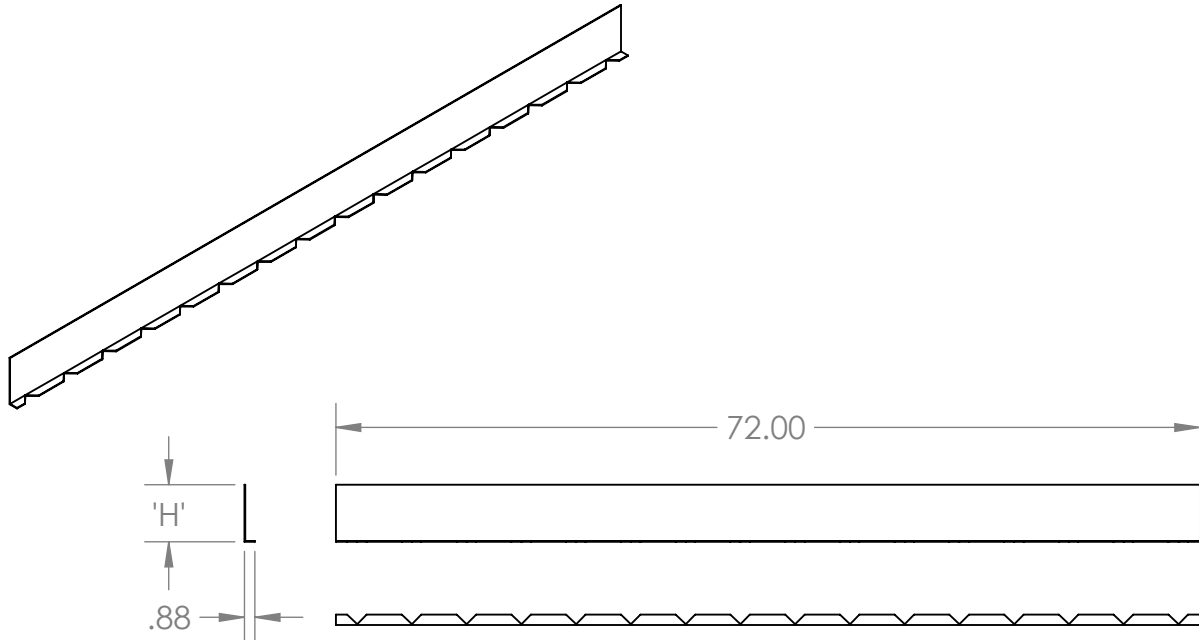




# PW Ladder Cable Tray Divider Strip

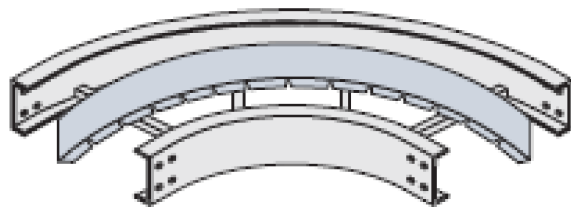
## 0606-99 Series Flexible Horizontal Divider



Material: Aluminum                      Finish: None  
           Carbon Steel                      Mill Galvanized  
           Carbon Steel                      Hot-Dip Galvanized  
           316 Stainless steel              None

Furnished with 3 #10  
self drilling screws

Fastener Options: Stainless Steel (S6)  
Zinc Plated Steel (ZN)



RAIL HEIGHT (INCH)	Screws	'H' Nominal
4	(3#10 self drilling)	3
5	(3#10 self drilling)	4
6	(3#10 self drilling)	5
7	(3#10 self drilling)	6

PRODUCT NUMBER	L	FASTENER OPTIONS
0606-99	6'	ZN S6
CATALOG NUMBERING EXAMPLE:		
Accessory System No.	Fasteners	
4T - 0606-99	- S6	

"Copyright LNA, Inc. Drawings are proprietary and may not be copied or otherwise duplicated or used without express written permission."

CABCS1176

Legrand  
8319 State Rt. 4  
Mascoutah, IL 62258 USA  
800-658-4641  
618-566-3250  
Fax 618-566-4978  
www.legrand.us/cablofil