

AISI Type 304L



GENERAL INFORMATION

- NEMA TRAY TYPE:** Two Rail Ladder
- NEMA CLASS:** 12B
- MATERIAL:** AISI Type 304L Stainless Steel
- SIDE RAIL:** 6" high with 1" top flange
- LOAD DEPTH:** 5"
- BOTTOM:** 1 1/4" wide hat rung
- FINISH:** Plain
- CONSTRUCTION:** Resistance welded
- TRAY SERIES:** Series 1 (2" tangent)

ENGINEERING INFORMATION

- TRAY DESIGN:** Construction and markings are per the latest edition of NEMA Standards Pub. VE1.
- TRAY GROUNDING CAPABILITY:** None. The N.E.C. does not recognize stainless steel cable tray as an equipment ground conductor.
- CONNECTORS:** Supplied in pairs with hardware. Splice resistance is less than 0.00033 ohms. Standard hardware: 3/8 in. type 316 stainless steel.
- MECHANICAL PROPERTIES:** One rail: $I_{x-x} = 1.7047in^3$ $S_{x-x} = 0.6234in^4$

TRAY WIDTH (IN.)	TRAY WEIGHT* (LBS./FT.)
6	3.14
9	3.31
12	3.48
18	3.82
24	4.16
30	5.02
36	5.47

*Based on 9" rung spacing

SAFE LOAD DATA (LBS./FT.) / SUPPORT SPAN (FT.) / DEFLECTION (IN.)												
6	8	10	12	14	16	18	20	22	24	26	28	30
300	0.11	169	0.20	108	0.31	75	0.45					

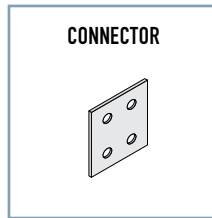
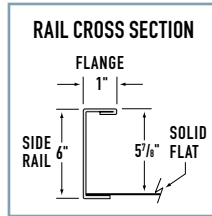
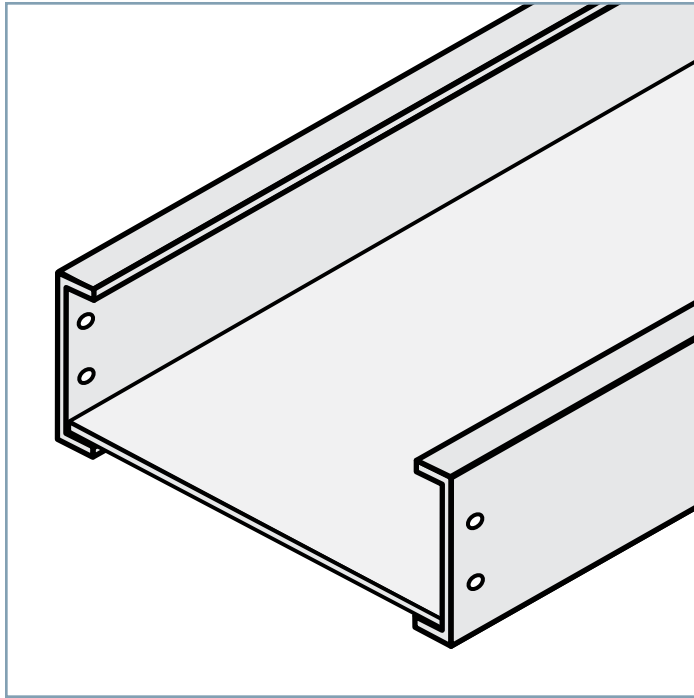
CATALOG NUMBERING EXAMPLE:

09 - 3603 - 0012 - 36

<p>Bottom Type</p> <ul style="list-style-type: none"> 06 - 6" Rung Spacing 09 - 9" Rung Spacing* 12 - 12" Rung Spacing 18 - 18" Rung Spacing <p>* Standard rung spacing</p>	<p>Tray System Number</p>	<p>Length</p> <ul style="list-style-type: none"> 0010 - 10'-0" 0012* - 12'-0" 0020 - 20'-0" 0024 - 24'-0" <p>* Standard for Series 1</p>	<p>Width</p> <ul style="list-style-type: none"> 06 - 6" 09 - 9" 12 - 12" 18 - 18" 24 - 24" 30 - 30" 36 - 36"
--	----------------------------------	---	--

Legrand/Cablofil
 Phone 800-658-4641
 618-566-3230
 Fax 618-566-3250
 8319 State Route 4
 Mascoutah, IL 62258 USA

Publication Date: 3/10
 Copyright © 2010 Legrand/Cablofil



AISI Type 304L



GENERAL INFORMATION

- NEMA TRAY TYPE:** Solid Flat
- NEMA CLASS:** 12B
- MATERIAL:** AISI Type 304L Stainless Steel
- SIDE RAIL:** 6" high with 1" top flange
- LOAD DEPTH:** 5"
- BOTTOM:** Solid Flat
- FINISH:** Plain
- CONSTRUCTION:** Arc welded
- TRAY SERIES:** Series 1 (2" tangent)

ENGINEERING INFORMATION

- TRAY DESIGN:** Construction and markings are per the latest edition of NEMA Standards Pub. VE1.
- TRAY GROUNDING CAPABILITY:** None. The N.E.C. does not recognize stainless steel cable tray as an equipment ground conductor.
- CONNECTORS:** Supplied in pairs with hardware. Splice resistance is less than 0.00033 ohms. Standard hardware: 3/8 in. type 316 stainless steel.
- MECHANICAL PROPERTIES:** One rail: $I_{x-x} = 1.7047in^3$ $S_{x-x} = 0.6234in^4$

TRAY WIDTH (IN.)	TRAY WEIGHT (LBS./FT.)
6	3.81
9	4.31
12	4.82
18	5.83
24	6.84
30	7.84
36	9.10

SAFE LOAD DATA (LBS./FT.) / SUPPORT SPAN (FT.) / DEFLECTION (IN.)												
6	8	10	12	14	16	18	20	22	24	26	28	30
300	0.11	169	0.20	108	0.31	75	0.45					

CATALOG NUMBERING EXAMPLE:

SF - 3603 - 0012 - 36

<p>Bottom Type SF - Solid Flat</p>	<p>Tray System Number</p>	<p>Length 0010 - 10'-0" 0012* - 12'-0" 0020 - 20'-0" 0024 - 24'-0" <i>* Standard for Series 1</i></p>	<p>Width 06 - 6" 09 - 9" 12 - 12" 18 - 18" 24 - 24" 30 - 30" 36 - 36"</p>
---	----------------------------------	--	--

Legrand/Cablofil
 Phone 800-658-4641
 618-566-3230
 Fax 618-566-3250
 8319 State Route 4
 Mascoutah, IL 62258 USA

Publication Date: 3/10
 Copyright © 2010 Legrand/Cablofil