

AISI Type 304L



GENERAL INFORMATION

- NEMA TRAY TYPE:** Two Rail Ladder
- NEMA CLASS:** 12C
- MATERIAL:** AISI Type 304L Stainless Steel
- SIDE RAIL:** 6" high with 1" top flange
- LOAD DEPTH:** 5"
- BOTTOM:** 1 1/4" wide hat rung
- FINISH:** Plain
- CONSTRUCTION:** Resistance welded
- TRAY SERIES:** Series 1 (2" tangent)

ENGINEERING INFORMATION

- TRAY DESIGN:** Construction and markings are per the latest edition of NEMA Standards Pub. VE1.
- TRAY GROUNDING CAPABILITY:** None. The N.E.C. does not recognize stainless steel cable tray as an equipment ground conductor.
- CONNECTORS:** Supplied in pairs with hardware. Splice resistance is less than 0.00033 ohms. Standard hardware: 3/8 in. type 316 stainless steel.
- MECHANICAL PROPERTIES:** One rail: $I_{x-x} = 1.7873in^3$ $S_{x-x} = 0.6733in^4$

| TRAY WIDTH (IN.) | TRAY WEIGHT* (LBS./FT.) |
|------------------|-------------------------|
| 6 | 3.32 |
| 9 | 3.49 |
| 12 | 3.66 |
| 18 | 4.00 |
| 24 | 4.34 |
| 30 | 5.20 |
| 36 | 5.65 |

*Based on 9" rung spacing

| SAFE LOAD DATA (LBS./FT.) / SUPPORT SPAN (FT.) / DEFLECTION (IN.) | | | | | | | | | | | | |
|-------------------------------------------------------------------|------|-----|------|-----|------|-----|------|----|----|----|----|----|
| 6 | 8 | 10 | 12 | 14 | 16 | 18 | 20 | 22 | 24 | 26 | 28 | 30 |
| 400 | 0.14 | 225 | 0.24 | 144 | 0.38 | 100 | 0.54 | | | | | |

CATALOG NUMBERING EXAMPLE:

09-3604-0012-36

Bottom Type

06 - 6" Rung Spacing
09 - 9" Rung Spacing*
12 - 12" Rung Spacing

* Standard rung spacing

Tray System Number

0010 - 10'-0"
0012* - 12'-0"

* Standard for Series 1

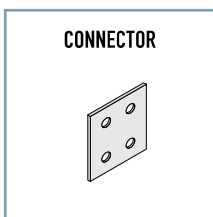
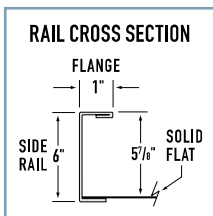
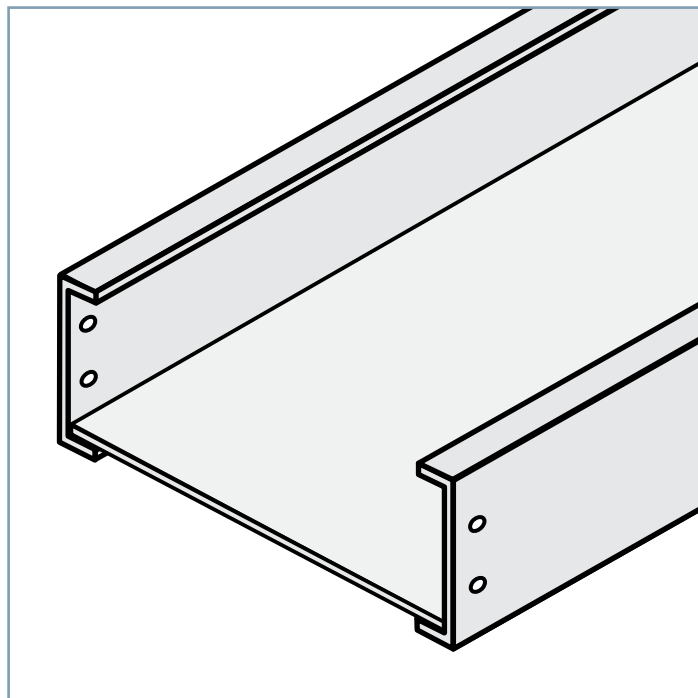
Length

06 - 6"
09 - 9"
12 - 12"
18 - 18"
24 - 24"
30 - 30"
36 - 36"

Width

Legrand/Cablofil
 Phone 800-658-4641
 618-566-3230
 Fax 618-566-3250
 8319 State Route 4
 Mascoutah, IL 62258 USA

Publication Date: 3/10
 Copyright © 2010 Legrand/Cablofil



AISI Type 304L



GENERAL INFORMATION

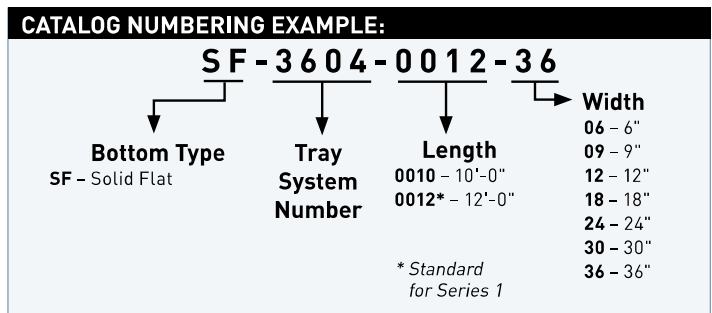
- NEMA TRAY TYPE:** Solid Flat
- NEMA CLASS:** 12C
- MATERIAL:** AISI Type 304L Stainless Steel
- SIDE RAIL:** 6" high with 1" top flange
- LOAD DEPTH:** 5"
- BOTTOM:** Solid Flat
- FINISH:** Plain
- CONSTRUCTION:** Arc welded
- TRAY SERIES:** Series 1 (2" tangent)

ENGINEERING INFORMATION

- TRAY DESIGN:** Construction and markings are per the latest edition of NEMA Standards Pub. VE1.
- TRAY GROUNDING CAPABILITY:** None. The N.E.C. does not recognize stainless steel cable tray as an equipment ground conductor.
- CONNECTORS:** Supplied in pairs with hardware. Splice resistance is less than 0.00033 ohms. Standard hardware: 3/8 in. type 316 stainless steel.
- MECHANICAL PROPERTIES:** One rail: $I_{x-x} = 1.7873in^3$ $S_{x-x} = 0.6733in^4$

| TRAY WIDTH (IN.) | TRAY WEIGHT (LBS./FT.) |
|------------------|------------------------|
| 6 | 3.99 |
| 9 | 4.49 |
| 12 | 5.00 |
| 18 | 6.01 |
| 24 | 7.02 |
| 30 | 8.02 |
| 36 | 9.28 |

| SAFE LOAD DATA (LBS./FT.) / SUPPORT SPAN (FT.) / DEFLECTION (IN.) | | | | | | | | | | | | |
|-------------------------------------------------------------------|------|-----|------|-----|------|-----|------|----|----|----|----|----|
| 6 | 8 | 10 | 12 | 14 | 16 | 18 | 20 | 22 | 24 | 26 | 28 | 30 |
| 400 | 0.14 | 225 | 0.24 | 144 | 0.38 | 100 | 0.54 | | | | | |



Legrand/Cablofil

Phone 800-658-4641
 618-566-3230
 Fax 618-566-3250
 8319 State Route 4
 Mascoutah, IL 62258 USA