

AISI Type 316L



**GENERAL INFORMATION**

- NEMA TRAY TYPE:** Two Rail Ladder
- NEMA CLASS:** 12C
- MATERIAL:** AISI Type 316L Stainless Steel
- SIDE RAIL:** 6" high with 1" top flange
- LOAD DEPTH:** 5"
- BOTTOM:** 1 1/4" wide hat rung
- FINISH:** Plain
- CONSTRUCTION:** Resistance welded
- TRAY SERIES:** Series 1 (2" tangent)

**ENGINEERING INFORMATION**

- TRAY DESIGN:** Construction and markings are per the latest edition of NEMA Standards Pub. VE1.
- TRAY GROUNDING CAPABILITY:** None. The N.E.C. does not recognize stainless steel cable tray as an equipment ground conductor.
- CONNECTORS:** Supplied in pairs with hardware. Splice resistance is less than 0.00033 ohms. Standard hardware: 3/8 in. type 316 stainless steel.
- MECHANICAL PROPERTIES:** One rail:  $I_{x-x} = 1.7873in^3$   $S_{x-x} = 0.6733in^4$

TRAY WIDTH (IN.)	TRAY WEIGHT* (LBS./FT.)
6	3.32
9	3.49
12	3.66
18	4.00
24	4.34
30	5.20
36	5.65

\*Based on 9" rung spacing

SAFE LOAD DATA (LBS./FT.) / SUPPORT SPAN (FT.) / DEFLECTION (IN.)																								
6	8		10		12		14		16		18		20		22		24		26		28		30	
400	0.14	225	0.24	144	0.38	100	0.54																	

**CATALOG NUMBERING EXAMPLE:**

**09 - 3621 - 0012 - 36**

**Bottom Type**

06 - 6" Rung Spacing  
09 - 9" Rung Spacing\*  
12 - 12" Rung Spacing

\* Standard rung spacing

**Tray System Number**

**Length**

0010 - 10'-0"  
0012\* - 12'-0"

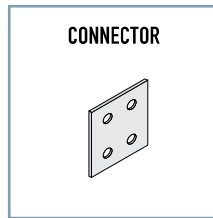
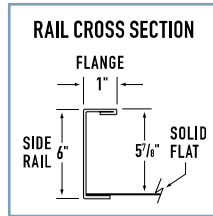
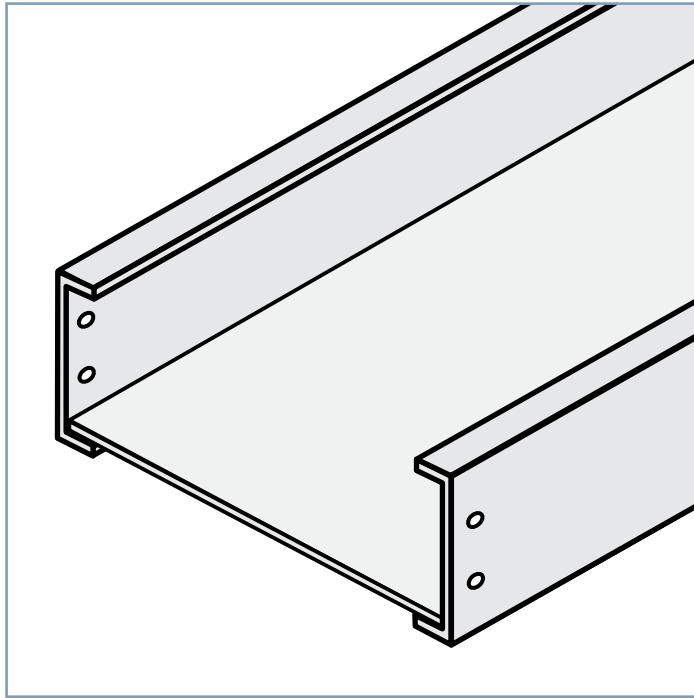
\* Standard for Series 1

**Width**

06 - 6"  
09 - 9"  
12 - 12"  
18 - 18"  
24 - 24"  
30 - 30"  
36 - 36"

**Legrand/Cablofil**  
 Phone 800-658-4641  
 618-566-3230  
 Fax 618-566-3250  
 8319 State Route 4  
 Mascoutah, IL 62258 USA

Publication Date: 3/10  
 Copyright © 2010 Legrand/Cablofil



AISI Type 316L



**GENERAL INFORMATION**

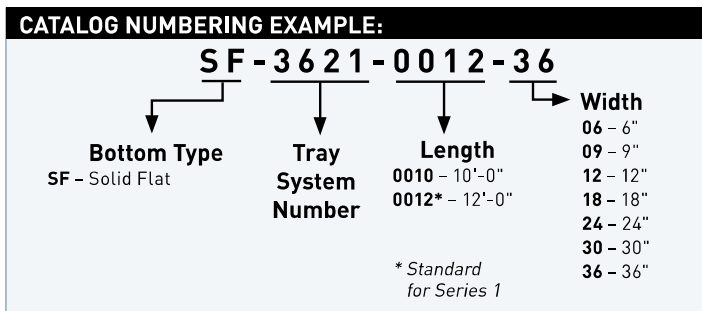
- NEMA TRAY TYPE:** Solid Flat
- NEMA CLASS:** 12C
- MATERIAL:** AISI Type 316L Stainless Steel
- SIDE RAIL:** 6" high with 1" top flange
- LOAD DEPTH:** 5"
- BOTTOM:** Solid Flat
- FINISH:** Plain
- CONSTRUCTION:** Arc welded
- TRAY SERIES:** Series 1 (2" tangent)

**ENGINEERING INFORMATION**

- TRAY DESIGN:** Construction and markings are per the latest edition of NEMA Standards Pub. VE1.
- TRAY GROUNDING CAPABILITY:** None. The N.E.C. does not recognize stainless steel cable tray as an equipment ground conductor.
- CONNECTORS:** Supplied in pairs with hardware. Splice resistance is less than 0.00033 ohms. Standard hardware: 3/8 in. type 316 stainless steel.
- MECHANICAL PROPERTIES:** One rail:  $I_{x-x} = 1.7873in^3$   $S_{x-x} = 0.6733in^4$

TRAY WIDTH (IN.)	TRAY WEIGHT (LBS./FT.)
6	3.99
9	4.49
12	5.00
18	6.01
24	7.02
30	8.02
36	9.28

SAFE LOAD DATA (LBS./FT.) / SUPPORT SPAN (FT.) / DEFLECTION (IN.)												
6	8	10	12	14	16	18	20	22	24	26	28	30
400	0.14	225	0.24	144	0.38	100	0.54					



**Legrand/Cablofil**  
 Phone 800-658-4641  
 618-566-3230  
 Fax 618-566-3250  
 8319 State Route 4  
 Mascoutah, IL 62258 USA