

AISI Type 304L



GENERAL INFORMATION

NEMA TRAY TYPE: Two Rail Ladder
NEMA CLASS: 20C
MATERIAL: AISI Type 304L Stainless Steel
SIDE RAIL: 6" high with 1 3/4" top flange
LOAD DEPTH: 5"
BOTTOM: 1 1/4" wide hat rung
FINISH: Plain
CONSTRUCTION: Resistance welded
TRAY SERIES: Series 2 (5" tangent)

ENGINEERING INFORMATION

TRAY DESIGN: Construction and markings are per the latest edition of NEMA Standards Pub. VE1.
TRAY GROUNDING CAPABILITY: None. The N.E.C. does not recognize stainless steel cable tray as an equipment ground conductor.
CONNECTORS: Supplied in pairs with hardware. Splice resistance is less than 0.00033 ohms. Standard hardware: 3/8 in. type 316 stainless steel.
MECHANICAL PROPERTIES:
 One rail: $I_{x-x} = 3.4185in^3$ $S_{x-x} = 1.2324in^4$

TRAY WIDTH (IN.)	TRAY WEIGHT* (LBS./FT.)
6	5.36
9	5.54
12	5.71
18	6.05
24	6.39
30	7.25
36	7.69

*Based on 9" rung spacing

SAFE LOAD DATA (LBS./FT.) / SUPPORT SPAN (FT.) / DEFLECTION (IN.)																						
6	8	10	12	14	16	18	20	22	24	26	28	30										
	564	0.31	400	0.54	278	0.77	204	1.05	156	1.38	123	1.74	100	2.15	81	2.54	63	2.83				

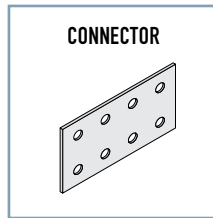
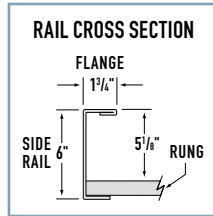
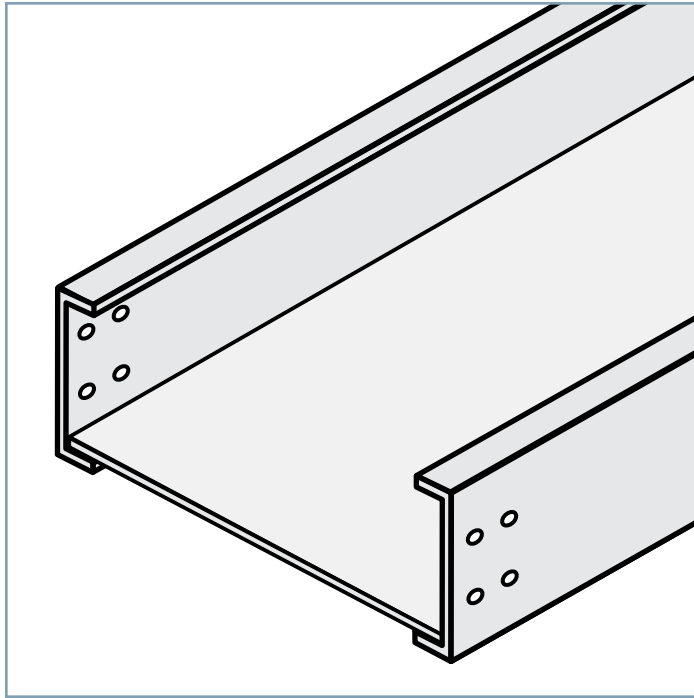
CATALOG NUMBERING EXAMPLE:

09-3645-0020-36

- Bottom Type:** 06 - 6" Rung Spacing, 09 - 9" Rung Spacing*, 12 - 12" Rung Spacing, 18 - 18" Rung Spacing. * Standard rung spacing
- Tray System Number:** 3645
- Length:** 0010 - 10'-0", 0012 - 12'-0", 0020* - 20'-0", 0024 - 24'-0". * Standard for Series 2
- Width:** 06 - 6", 09 - 9", 12 - 12", 18 - 18", 24 - 24", 30 - 30", 36 - 36"

Legrand/Cablofil
 Phone 800-658-4641
 618-566-3230
 Fax 618-566-3250
 8319 State Route 4
 Mascoutah, IL 62258 USA

Publication Date: 3/10
 Copyright © 2010 Legrand/Cablofil



AISI Type 304L



GENERAL INFORMATION

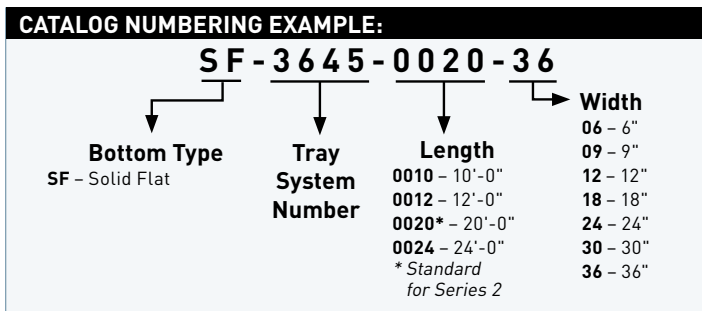
- NEMA TRAY TYPE:** Solid Flat
- NEMA CLASS:** 20C
- MATERIAL:** AISI Type 304L Stainless Steel
- SIDE RAIL:** 6" high with 1 3/4" top flange
- LOAD DEPTH:** 5"
- BOTTOM:** Solid Flat
- FINISH:** Plain
- CONSTRUCTION:** Arc welded
- TRAY SERIES:** Series 2 (5" tangent)

ENGINEERING INFORMATION

- TRAY DESIGN:** Construction and markings are per the latest edition of NEMA Standards Pub. VE1.
- TRAY GROUNDING CAPABILITY:** None. The N.E.C. does not recognize stainless steel cable tray as an equipment ground conductor.
- CONNECTORS:** Supplied in pairs with hardware. Splice resistance is less than 0.00033 ohms. Standard hardware: 3/8 in. type 316 stainless steel.
- MECHANICAL PROPERTIES:**
One rail: $I_{x-x} = 3.4185in^3$ $S_{x-x} = 1.2324in^4$

TRAY WIDTH (IN.)	TRAY WEIGHT (LBS./FT.)
6	6.03
9	6.54
12	7.04
18	8.05
24	9.06
30	10.06
36	11.32

SAFE LOAD DATA (LBS./FT.) / SUPPORT SPAN (FT.) / DEFLECTION (IN.)																						
6	8	10	12	14	16	18	20	22	24	26	28	30										
	564	0.31	400	0.54	278	0.77	204	1.05	156	1.38	123	1.74	100	2.15	81	2.54	63	2.83				



Legrand/Cablofil

Phone 800-658-4641
 618-566-3230
 Fax 618-566-3250
 8319 State Route 4
 Mascoutah, IL 62258 USA

Publication Date: 3/10
 Copyright © 2010 Legrand/Cablofil