

AISI Type 304L



GENERAL INFORMATION

NEMA TRAY TYPE: Two Rail Ladder
NEMA CLASS: 20B, 16C
MATERIAL: AISI Type 304L Stainless Steel
SIDE RAIL: 6" high with 1 3/4" top flange
LOAD DEPTH: 5"
BOTTOM: 1 1/4" wide hat rung
FINISH: Plain
CONSTRUCTION: Resistance welded
TRAY SERIES: Series 2 (5" tangent)

ENGINEERING INFORMATION

TRAY DESIGN: Construction and markings are per the latest edition of NEMA Standards Pub. VE1.
TRAY GROUNDING CAPABILITY: None. The N.E.C. does not recognize stainless steel cable tray as an equipment ground conductor.
CONNECTORS: Supplied in pairs with hardware. Splice resistance is less than 0.00033 ohms. Standard hardware: 3/8 in. type 316 stainless steel.
MECHANICAL PROPERTIES:
 One rail: $I_{x-x} = 2.7718in^3$ $S_{x-x} = 1.0001in^4$

TRAY WIDTH (IN.)	TRAY WEIGHT* (LBS./FT.)
6	4.42
9	4.60
12	4.77
18	5.11
24	5.45
30	6.31
36	6.75

*Based on 9" rung spacing

SAFE LOAD DATA (LBS./FT.) / SUPPORT SPAN (FT.) / DEFLECTION (IN.)																							
6	8	10	12	14	16	18	20	22	24	26	28	30											
564	0.12	469	0.32	300	0.51	208	0.73	153	0.99	117	1.30	93	1.64	75	2.03	61	2.42	48	2.70				

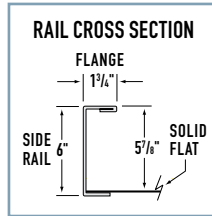
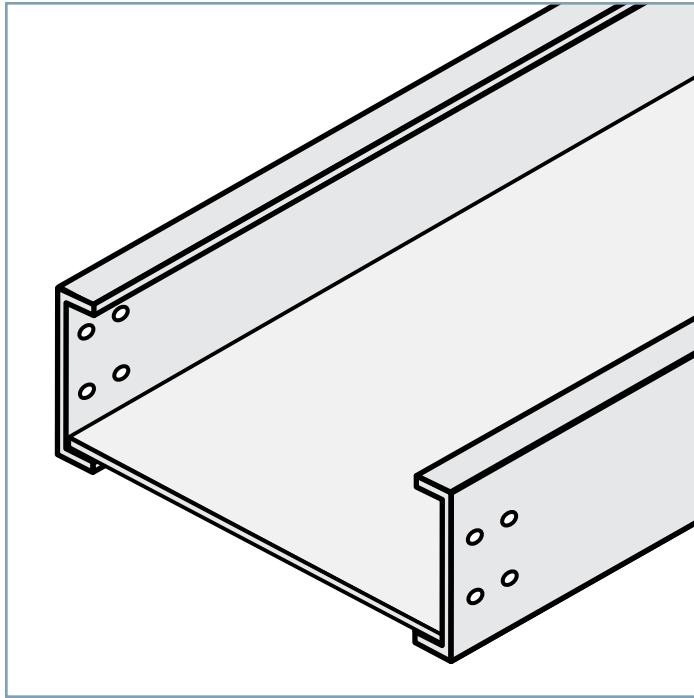
CATALOG NUMBERING EXAMPLE:

09 - 3F67 - 0020 - 36

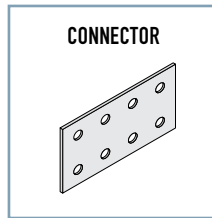
- Bottom Type**
 - 06 - 6" Rung Spacing
 - 09 - 9" Rung Spacing*
 - 12 - 12" Rung Spacing
 - 18 - 18" Rung Spacing
 - * Standard rung spacing
- Tray System Number**
- Length**
 - 0010 - 10'-0"
 - 0012 - 12'-0"
 - 0020* - 20'-0"
 - 0024 - 24'-0"
 - * Standard for Series 2
- Width**
 - 06 - 6"
 - 09 - 9"
 - 12 - 12"
 - 18 - 18"
 - 24 - 24"
 - 30 - 30"
 - 36 - 36"

Legrand/Cablofil
 Phone 800-658-4641
 618-566-3230
 Fax 618-566-3250
 8319 State Route 4
 Mascoutah, IL 62258 USA

Publication Date: 3/10
 Copyright © 2010 Legrand/Cablofil



AISI Type 304L



GENERAL INFORMATION

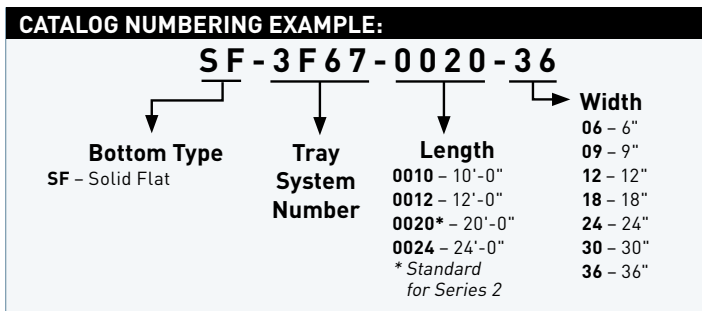
- NEMA TRAY TYPE:** Solid Flat
- NEMA CLASS:** 20B, 16C
- MATERIAL:** AISI Type 304L Stainless Steel
- SIDE RAIL:** 6" high with 1 3/4" top flange
- LOAD DEPTH:** 5"
- BOTTOM:** Solid Flat
- FINISH:** Plain
- CONSTRUCTION:** Arc welded
- TRAY SERIES:** Series 2 (5" tangent)

ENGINEERING INFORMATION

- TRAY DESIGN:** Construction and markings are per the latest edition of NEMA Standards Pub. VE1.
- TRAY GROUNDING CAPABILITY:** None. The N.E.C. does not recognize stainless steel cable tray as an equipment ground conductor.
- CONNECTORS:** Supplied in pairs with hardware. Splice resistance is less than 0.00033 ohms. Standard hardware: 3/8 in. type 316 stainless steel.
- MECHANICAL PROPERTIES:** One rail: $I_{x-x} = 2.7718in^3$ $S_{x-x} = 1.0001in^4$

TRAY WIDTH (IN.)	TRAY WEIGHT (LBS./FT.)
6	5.09
9	5.60
12	6.10
18	7.11
24	8.12
30	9.12
36	10.38

SAFE LOAD DATA (LBS./FT.) / SUPPORT SPAN (FT.) / DEFLECTION (IN.)																							
6	8	10	12	14	16	18	20	22	24	26	28	30											
564	0.12	469	0.32	300	0.51	208	0.73	153	0.99	117	1.30	93	1.64	75	2.03	61	2.42	48	2.70				



Legrand/Cablofil
 Phone 800-658-4641
 618-566-3230
 Fax 618-566-3250
 8319 State Route 4
 Mascoutah, IL 62258 USA

Publication Date: 3/10
 Copyright © 2010 Legrand/Cablofil