

AISI Type 316L



GENERAL INFORMATION

- NEMA TRAY TYPE:** Two Rail Ladder
- NEMA CLASS:** 20B, 16C
- MATERIAL:** AISI Type 316L Stainless Steel
- SIDE RAIL:** 6" high with 1 3/4" top flange
- LOAD DEPTH:** 5"
- BOTTOM:** 1 1/4" wide hat rung
- FINISH:** Plain
- CONSTRUCTION:** Resistance welded
- TRAY SERIES:** Series 2 (5" tangent)

ENGINEERING INFORMATION

- TRAY DESIGN:** Construction and markings are per the latest edition of NEMA Standards Pub. VE1.
- TRAY GROUNDING CAPABILITY:** None. The N.E.C. does not recognize stainless steel cable tray as an equipment ground conductor.
- CONNECTORS:** Supplied in pairs with hardware. Splice resistance is less than 0.00033 ohms. Standard hardware: 3/8 in. type 316 stainless steel.
- MECHANICAL PROPERTIES:** One rail: $I_{x-x} = 2.7718in^3$ $S_{x-x} = 1.0001in^4$

TRAY WIDTH (IN.)	TRAY WEIGHT* (LBS./FT.)
6	4.42
9	4.60
12	4.77
18	5.11
24	5.45
30	6.31
36	6.75

*Based on 9" rung spacing

SAFE LOAD DATA (LBS./FT.) / SUPPORT SPAN (FT.) / DEFLECTION (IN.)																							
6	8	10	12	14	16	18	20	22	24	26	28	30											
564	0.12	469	0.32	300	0.51	208	0.73	153	0.99	117	1.30	93	1.64	75	2.03	61	2.42	48	2.70				

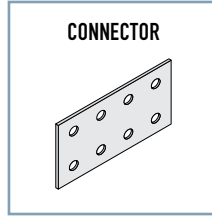
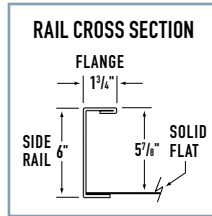
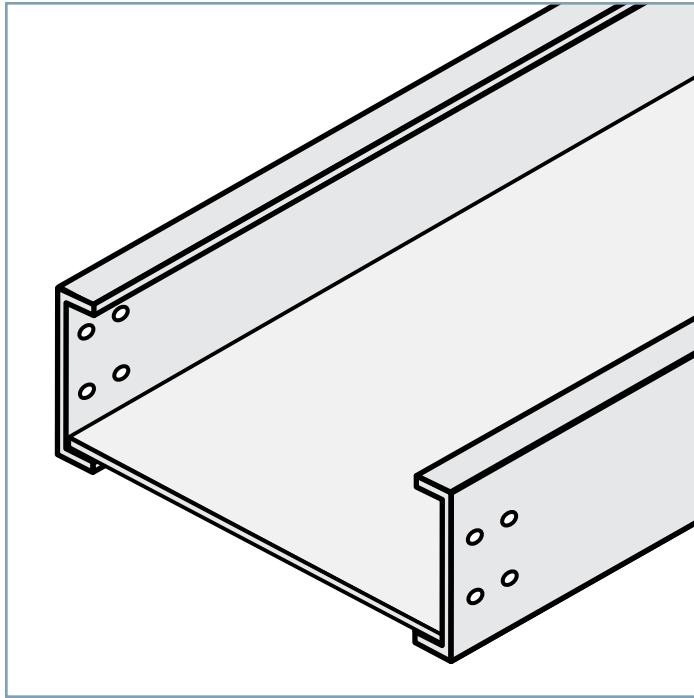
CATALOG NUMBERING EXAMPLE:

09 - 3F85 - 0020 - 36

<p>Bottom Type</p> <ul style="list-style-type: none"> 06 - 6" Rung Spacing 09 - 9" Rung Spacing* 12 - 12" Rung Spacing 18 - 18" Rung Spacing <p>* Standard rung spacing</p>	<p>Tray System Number</p> <p>3F85</p>	<p>Length</p> <ul style="list-style-type: none"> 0010 - 10'-0" 0012 - 12'-0" 0020* - 20'-0" 0024 - 24'-0" <p>* Standard for Series 2</p>	<p>Width</p> <ul style="list-style-type: none"> 06 - 6" 09 - 9" 12 - 12" 18 - 18" 24 - 24" 30 - 30" 36 - 36"
------------------------------------------------------------------------------------------------------------------------------------------------------------------------------------------------------------------------------	----------------------------------------------	-------------------------------------------------------------------------------------------------------------------------------------------------------------------------------------------	------------------------------------------------------------------------------------------------------------------------------------------------------------------------------------------

Legrand/Cablofil
 Phone 800-658-4641
 618-566-3230
 Fax 618-566-3250
 8319 State Route 4
 Mascoutah, IL 62258 USA

Publication Date: 3/10
 Copyright © 2010 Legrand/Cablofil



AISI Type 316L



GENERAL INFORMATION

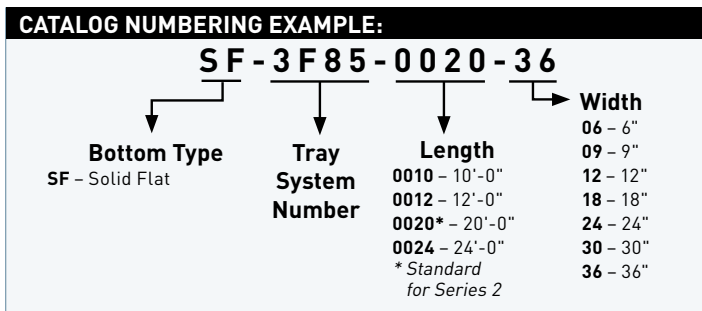
- NEMA TRAY TYPE:** Solid Flat
- NEMA CLASS:** 20B, 16C
- MATERIAL:** AISI Type 316L Stainless Steel
- SIDE RAIL:** 6" high with 1 3/4" top flange
- LOAD DEPTH:** 5"
- BOTTOM:** Solid Flat
- FINISH:** Plain
- CONSTRUCTION:** Arc welded
- TRAY SERIES:** Series 2 (5" tangent)

ENGINEERING INFORMATION

- TRAY DESIGN:** Construction and markings are per the latest edition of NEMA Standards Pub. VE1.
- TRAY GROUNDING CAPABILITY:** None. The N.E.C. does not recognize stainless steel cable tray as an equipment ground conductor.
- CONNECTORS:** Supplied in pairs with hardware. Splice resistance is less than 0.00033 ohms. Standard hardware: 3/8 in. type 316 stainless steel.
- MECHANICAL PROPERTIES:** One rail: $I_{x-x} = 2.7718in^3$ $S_{x-x} = 1.0001in^4$

TRAY WIDTH (IN.)	TRAY WEIGHT (LBS./FT.)
6	5.09
9	5.60
12	6.10
18	7.11
24	8.12
30	9.12
36	10.38

SAFE LOAD DATA (LBS./FT.) / SUPPORT SPAN (FT.) / DEFLECTION (IN.)																							
6	8	10	12	14	16	18	20	22	24	26	28	30											
564	0.12	469	0.32	300	0.51	208	0.73	153	0.99	117	1.30	93	1.64	75	2.03	61	2.42	48	2.70				



Legrand/Cablofil
 Phone 800-658-4641
 618-566-3230
 Fax 618-566-3250
 8319 State Route 4
 Mascoutah, IL 62258 USA

Publication Date: 3/10
 Copyright © 2010 Legrand/Cablofil