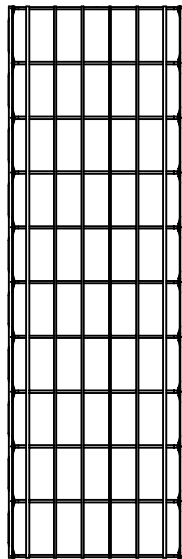


# CF 54 CABLOFIL CABLE TRAY

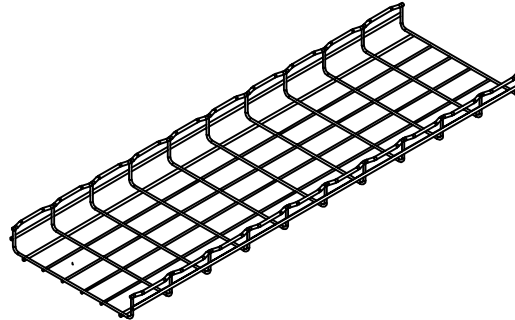
# CABLOFIL®

INNOVATORS IN CABLE MANAGEMENT

8319 State Route 4  
 Mascoutah IL 62258  
 Phone: 800-658-4641  
 618-566-3230  
 Fax: 618-566-3250  
[www.cablofil.com](http://www.cablofil.com)



TOP



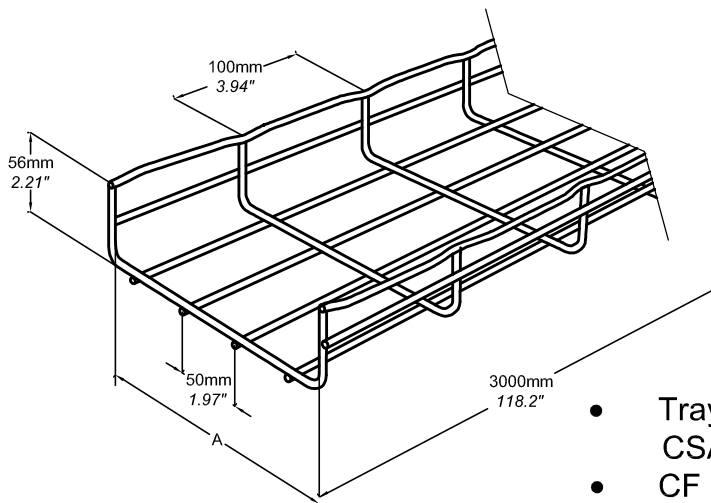
ISOMETRIC



FRONT



SIDE



- Tray designed per NEMA VE-1, CSA C22.2 No. 126
- CF series has top wave wire

	in mm	lb
CF54 50	1.967 50	5.3
CF54 100	3.937 100	6.5
CF54 150	5.904 150	7.8
CF54 200	7.872 200	9.0
CF54 300	11.81 300	13.4
CF54 400	15.75 400	22.8
CF54 450	17.71 450	25
CF54 500	19.68 500	24.4
CF54 550	21.65 550	25.9
CF54 600	23.62 600	27.5

	Material	Finish
EZ	Carbon Steel ASTM A510 Grade 1008	Electroplated Zinc, ASTM B633
GC	Carbon Steel ASTM A510 Grade 1008	Hot-Dip Galvanized ASTM A123
BL	Carbon Steel ASTM A510 Grade 1008	Black Painted ASTM D 3451
PE	Carbon Steel ASTM A510 Grade 1008	Custom Painted ASTM D 3451
304L	AISI TYPE 304L	Passivated ASTM A 380
316L	AISI TYPE 316L	Passivated ASTM A 380

CLASSIFIED

CLASSIFIED

WH

BL PE 316L

EZ GC 304L