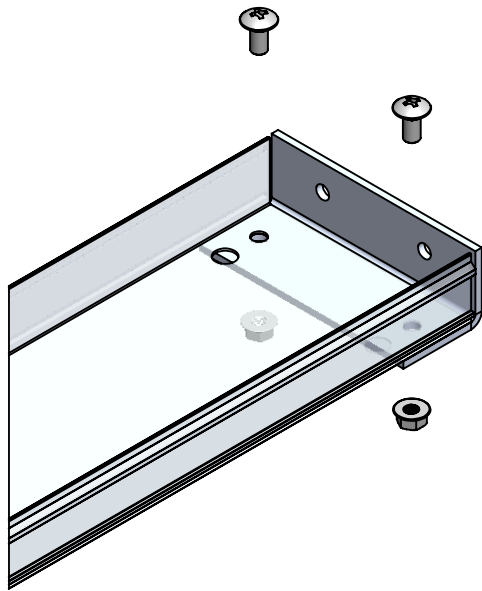




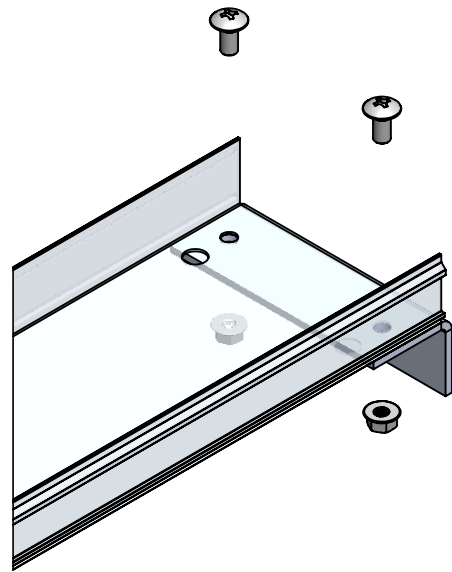
# CHANNEL SYSTEM Channel Tray

## CCxxCBCBE-xx

### Cable Channel to Box Connector/ Blind End Kit



**CC6ACBCBE SHOWN AS BLIND END**



**CC6ACBCBE SHOWN AS BOX CONNECTOR**

PART NAME	'W'
CC4*CBCBE-x	4.000
CC6*CBCBE-x	6.000

\* REPRESENTS MATERIAL/FINISH:  
 A- ALUMINUM  
 G -STEEL/HDGAF (after fab)  
 T - STAINLESS/316

x REPRESENTS HARDWARE: GE or S6

#### NOTES:

- TORQUE: 19 FT/LBS (BOLTS/NUTS)
- KIT INCLUDES ONE CONNECTOR AND ALL NECESSARY HARDWARE TO COMPLETE THE CONNECTION
- MEETS BONDING REQUIREMENTS (NO BONDING JUMPERS REQUIRED)
- MOUNT ON BOTTOM SIDE OF CABLE CHANNEL

"Copyright LNA, Inc. Drawings are proprietary and may not be copied or otherwise duplicated or used without express written permission."

CABCS0565



Legrand  
 8319 State Rt. 4  
 Mascoutah, IL 62258 USA  
 800-658-4641  
 618-566-3250  
 Fax 618-566-4978  
[www.legrand.us/cablofil](http://www.legrand.us/cablofil)