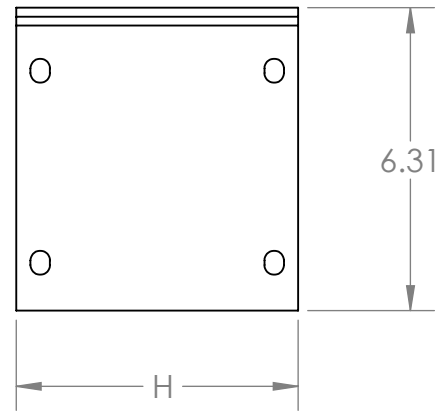
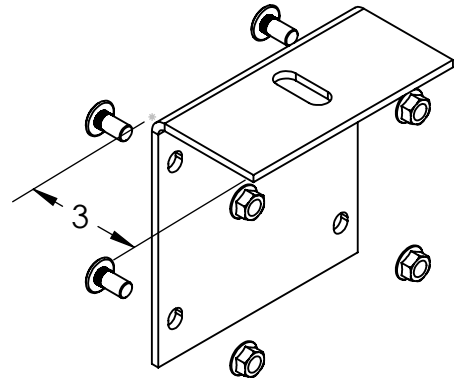
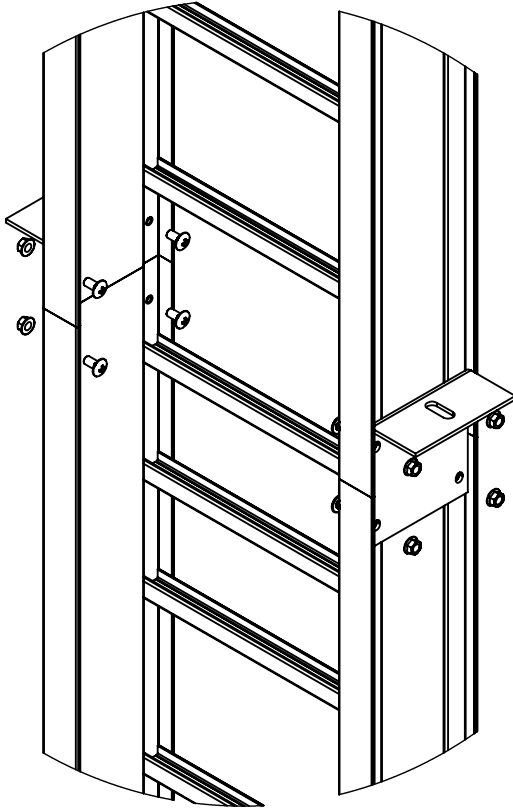


PW Ladder Cable Tray Connector Splice **VHSP** Vertical Hanger Splice KIT



- **Material:** Aluminum Alloy 5052 - H32
- **Finish:** Plain
- **Height (H):** is height of tray: 4", 5", 6", 7" (less 1/2")
- **Torque:** 19 - 25 ft-lbs
- Supports vertical tray using threaded rod (not shown)

PRODUCT CODE	FASTENER OPTIONS
VHSP	GE S6
CATALOG NUMBERING EXAMPLE:	
H / Material	Fasteners
4 A - VHSP	- G E