

4

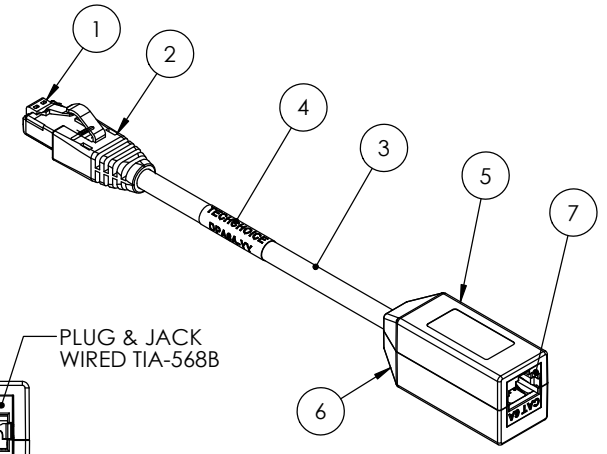
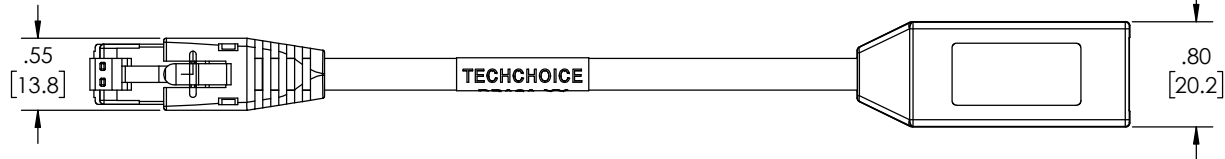
3

2

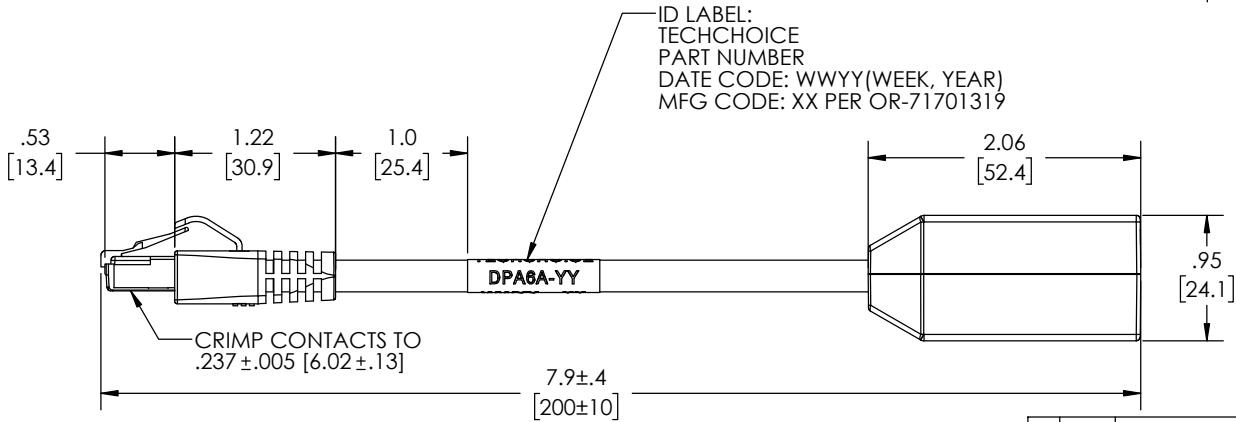
1

REVISIONS						
ECN#	ZONE	REV	DESCRIPTION	REV BY	CHK BY	DATE
		00	INITIAL RELEASE WAS AP18008010-YY	DP	KAC	08/15/2018

D



C



PLUG & JACK WIRED TIA-568B

NOTE: YY COLOR TABLE

-YY	COLOR	RAL #
-08	GRAY	9002
-09	WHITE	9003

NOTES, UNLESS OTHERWISE SPECIFIED:

- TRANSMISSION PERFORMANCE
 - MEET ALL REQUIREMENTS SPECIFIED IN CHANNEL REQUIREMENT OF:
 - ISO/IEC 11801, CLASS EA & ANSI/TIA-568-C.2, CATEGORY 6A
- ELECTRICAL
 - ELECTRICAL INSULATION RESISTANCE: 500 MΩ MIN. @ 100V D.C.
 - DIELECTRIC WITHSTANDING VOLTAGE: 1000V D.C. OR A.C. PEAK; ONE CONTACT TO ALL OTHER CONTACTS CONNECTED TOGETHER @ 60Hz FOR 1 MINUTE.
 - DIELECTRIC WITHSTANDING VOLTAGE: 1500V D.C. OR A.C. PEAK; ALL CONTACTS CONNECTED TOGETHER TO SHIELD @ 60Hz FOR 1 MINUTE.
- MECHANICAL
 - INSERTION / EXTRACTION LIFE: 750 CYCLES MINIMUM
 - PULL-OUT FORCE OF JACK: 20N +15/-10N (2.2 - 7.9 LBS)
- PHYSICAL
 - JACK ASSY: ZINC-ALLOY FULLY SHIELDED
 - SPRING WIRE: PHOSPHOR BRONZE ALLOY PLATED WITH 50 MICRO-INCH OF GOLD
 - COVER(S): HIGH - IMPACT, FLAME-RETARDANT PLASTIC UL 94V-0.
 - FTP PLUG: PC HOUSING UL 94-V0, CONTACT AREA OF BLADES SELECTED PLATED WITH 50 MICRO-INCHES OF HARD GOLD OVER 10 MICRO-INCHES OF NICKEL.
- SAFETY: UL & ULc 1863.
- PACK 5 PCS ASSEMBLY INTO HEAT SEALED TEAR AWAY POLYBAG AND APPLY BAG LABEL. SEE POLYBAG SPECIFICATION ON SHEET 2.
- PACK 4 PCS POLYBAG (KITS OF 5) INTO INNER CARTON. APPLY BARCODE LABEL AND SEAL WITH TAMPER PROOF LABEL.
- PACK 10 PCS INNER CARTON INTO MASTER CARTON.
- ALL PACKAGING AND ENVIRONMENTAL COMPLIANCE PER 71700217.

B

B

A

A

12	0.025			MASTER CARTON, 20.28" X 15.51" X 17.68" (515mm X 394mm X 449mm), KRAFT BOX
11	0.25			INNER CARTON, 14.96" X 9.84" X 3.35" (380mm X 250mm X 85mm), KRAFT BOX
10	0.25	70400844		LABEL, TAMPER PROOF, 3" x 2"
9	1.25	70400953		BLANK LABEL, WHITE THERMAL 4.0" X 2.0" LEGRAND
8	1			POLYBAG, 10" X 17.5" (2-3 MILS), MULTI HEAT SEALS AND TEAR OPEN PERF
7	5			RJ45 JACK ASSEMBLY, SHIELDED, CAT 6A
6	5			COVER, BOTTOM
5	5			COVER, TOP
4	5	70400641		LABEL, WHITE LASER PRINT, .50" X 1.00" LAMINATED
3	A/R			CABLE, PATCH, CAT 6A, F/UTP, 26AWG ST, UL LISTED E132276 (CSA LL64151), ETL VERIFIED
2	5			PLUG BOOT, RJ45, UL 94V-2 ZERO HALOGEN
1	5			RJ45, CAT 6A, FTP PLUG ASSEMBLY
ITEM	QUAN	PART NUMBER	SUPPLIER/VENDOR	DESCRIPTION

UNLESS OTHERWISE STATED; DIMENSIONS ARE IN INCHES

TOLERANCES:
 FRACTIONAL: ±
 ANGULAR: MACH ± 1° BEND ± 1°
 ONE PLACE DECIMAL ± .1
 TWO PLACE DECIMAL ± .02
 THREE PLACE DECIMAL ± .010

MATERIAL
SEE INDIVIDUAL COMPONENTS

FINISH
SEE INDIVIDUAL COMPONENTS

*** NOTICE ***
 THIS DOCUMENT CONTAINS CONFIDENTIAL AND/OR PROPRIETARY INFORMATION INTENDED FOR USE ONLY BY THE INDIVIDUAL(S) PROVIDED. NEITHER THIS DOCUMENT, NOR ANY INFORMATION CONTAINED HEREIN, MAY BE COPIED, DISTRIBUTED, DISCLOSED TO ANY THIRD PARTY OR USED IN ANY MANNER OTHER THAN FOR WHICH IT HAS BEEN PROVIDED, WITHOUT THE PRIOR WRITTEN CONSENT OF LEGRAND

legrand WWW.LEGRAND.US

TITLE
 DEVICE PROTECTION ADAPTER, CAT 6A, FTP, LSZH, YY COLOR, KIT OF 5 PCS

SIZE	CAD FILE	DWG NO	REV
B	DPA6A5PKYY	DPA6A5PK-YY	00

SCALE 1:1 SHEET 1 OF 2

4

3

2

1

4

3

2

1

POLYBAG 5 PACK SPECIFICATION

D

D

C

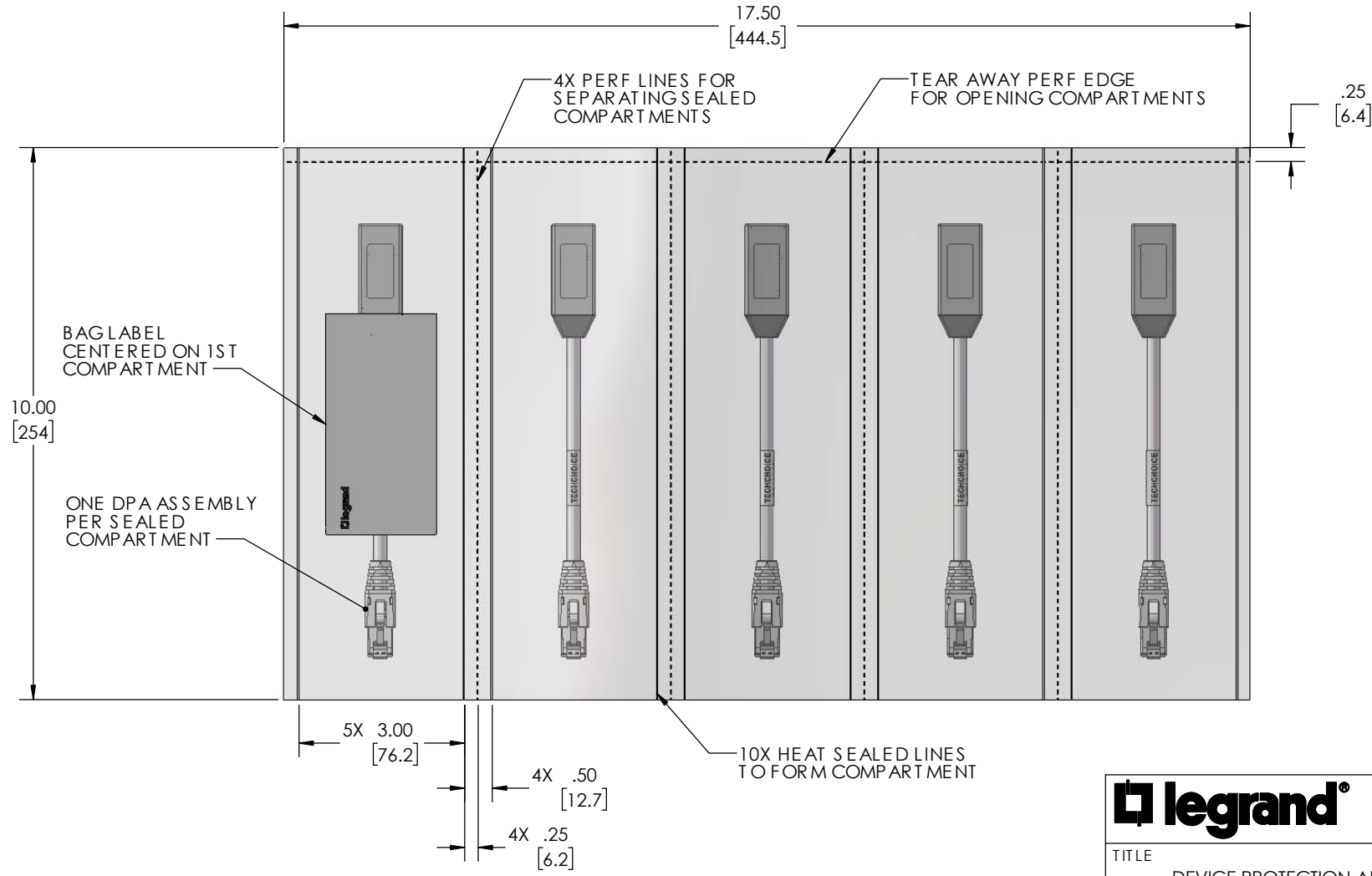
C

B

B

A

A



 WWW.LEGRAND.US			
TITLE DEVICE PROTECTION ADAPTER, CAT 6A, FTP, LSZH, YY COLOR, KIT OF 5 PCS			
SIZE B	CAD FILE DPA6A5PKYY	DWG NO DPA6A5PK-YY	REV 00
SCALE 1:2		SHEET 2 OF 2	

4

3

2

1