

DATA SHEET



Cat6a Device Protection Adapter (5 pack)

Quick release Device Protection Adapters protect IT equipment and eliminate trip hazards by reducing the pull-out force for applications that require a hard wired connection to the LAN.

OVERVIEW

The Cat6a Device Protection Adapter is the perfect solution for hospitals, nursing facilities and K-12 schools. This adapter has been designed to quickly release, reducing the pull-out force of an RJ45 copper patch cord from the jack of the adapter. That reduction in pull-out force prevents costly damage to network IT equipment on rolling carts and network wall plates, while also eliminating trip hazards caused by hard wired network patch cords. Simply plug this adapter into an RJ45 outlet or piece of network equipment and attach a patch cord into the quick release jack of the adapter.

The adapter cable type is Low Smoke, Zero Halogen (LSZH) and utilizes shielded cable that can be used in any network application. Developed for Cat6a performance, the adapter is backward-compatible to also work with Cat6 and Cat5e. Use Legrand patch cords for an optimal networking solution.

FEATURES

- Quick Release: Protect IT equipment and eliminate trip hazards
- Backward Compatible: Also supports Cat6 and Cat5e patch cords
- Shielded Cable: Can be used in any application
- Low Smoke, Zero Halogen (LSZH): Cable jacket material is non-halogenated and flame retardant
- Small Form factor: Adapter is only 8 inches long

ITEM DESCRIPTION

DPA6A5PK-08	Cat6a Device Protection Adapter (5 pack) - Gray
DPA6A5PK-09	Cat6a Device Protection Adapter (5 pack) - White

designed to be better.™



DATA SHEET

SPECIFICATIONS:

Cat6a Device Protection Adapter (5 pack)

GENERAL INFO:

- Cable Type: Cat6a F/UTP LSZH
- Color: Gray
- Quantity: 5
- Product Series: TechChoice

ELECTRICAL SPECIFICATIONS:

- Electrical Insulation Resistance: 500 MΩ Min. @ 100V DC
- Dielectric Withstanding Voltage: 1000V DC or AC PEAK; One contact to all other contacts connected @ 60Hz for 1 minute
- Dielectric Withstanding Voltage: 1500V DC or AC peak; All contacts connected to shield @ 60hz for 1 minute

MECHANICAL SPECIFICATIONS:

- Insertion/Extraction Life: 750 Cycles minimum
- Pull-Out Force of Jack: 20N +15/-10N (2.2 - 7.9lbs)

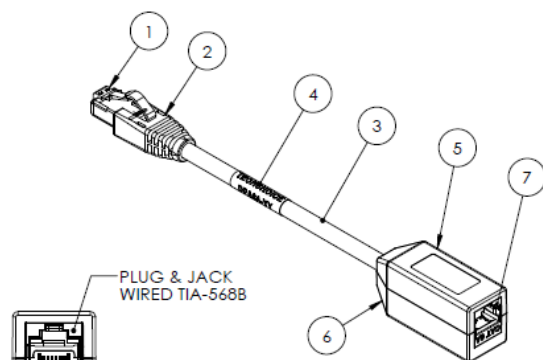
PHYSICAL SPECIFICATIONS:

- Connector Type End One: RJ45 Male
- Connector Type End Two: RJ45 Female
- Adapter Length US: 8"
- Jack Assembly: Zinc-alloy fully shielded
- Spring Wire: Phosphor bronze alloy plated with 50 micro-inches of gold
- Cover(s): High-impact, flame-retardant plastic UL 94V-0
- FTP Plug: PC housing UL 94V-0, contact area of blades selected plated with 50 micro-inches of hard gold over 10 micro-inches of nickel

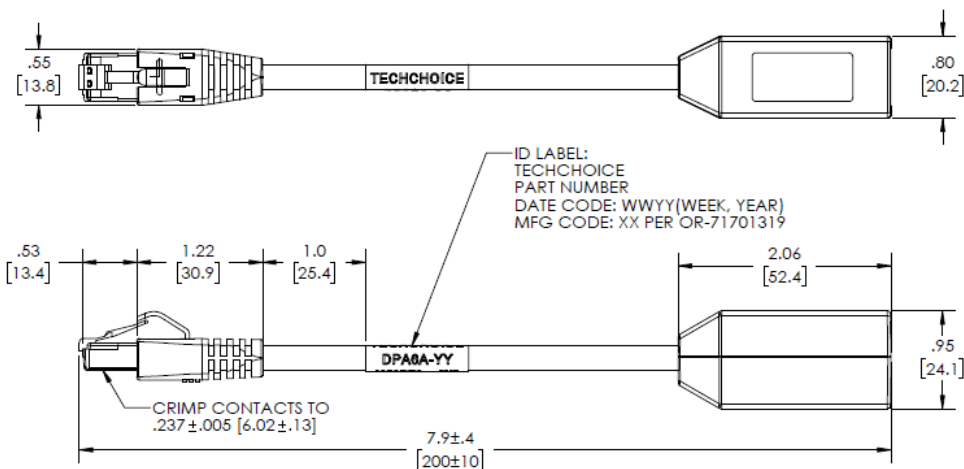
LISTING AGENCIES/THIRD PARTY CERTIFICATIONS:

- Certifications/Compliances: UL & UL 1863

ITEM NUMBER	DESCRIPTION
1	RJ45, CAT 6A, FTP PLUG ASSEMBLY
2	PLUG BOOT, RJ45, UL 94V-2 ZERO HALOGEN
3	A/R CABLE, PATCH, CAT 6A, F/UTP, 26AWG ST, UL LISTED
4	LABEL, WHITE LASER PRINT, .50" X 1.00" LAMINATED
5	COVER, TOP
6	COVER, BOTTOM
7	RJ45 JACK ASSEMBLY, SHIELDED, CAT 6A



NOTE: YY COLOR TABLE		
-YY	COLOR	RAL #
-08	GRAY	9002
-09	WHITE	9003



Legrand, North and Central America

60 Woodlawn Street
West Hartford, CT 06110
1.877.BY.LEGRAND (295.3472)
www.legrand.us