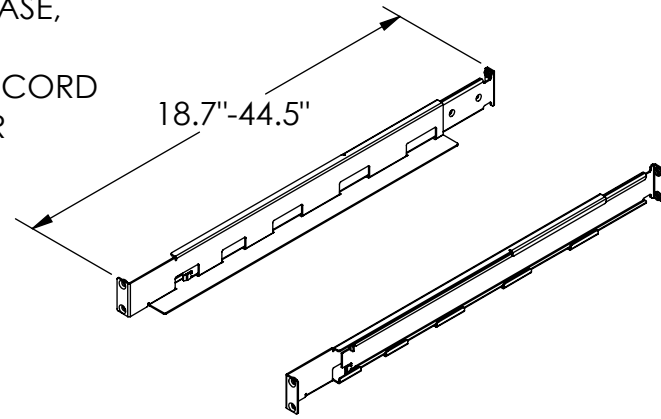


**ELECTRICAL PARAMETERS:**

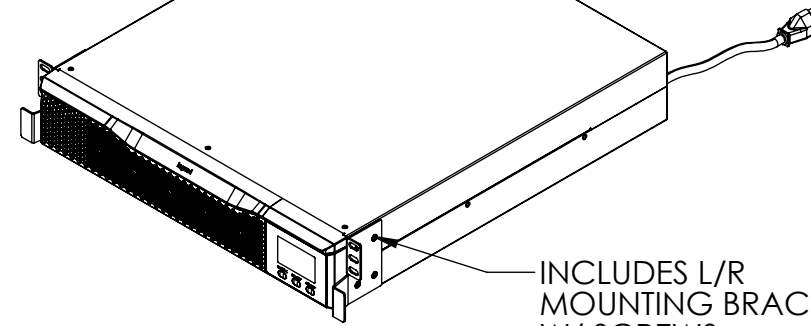
- LINE INTERACTIVE, SINGLE PHASE, 120V, 1.5kVA, 1.35kW
- INPUT TYPE: NEMA 5-15P, 6.0' CORD
- OUTPUT TYPE: (8) NEMA 5-15R
- DISCHARGE TIME:
  - 100% LOAD 4.5 min.
  - 75% LOAD 7.4 min.
  - 50% LOAD 12.8 min.
  - 25% LOAD 28.9 min.

**MECHANICAL PARAMETERS:**

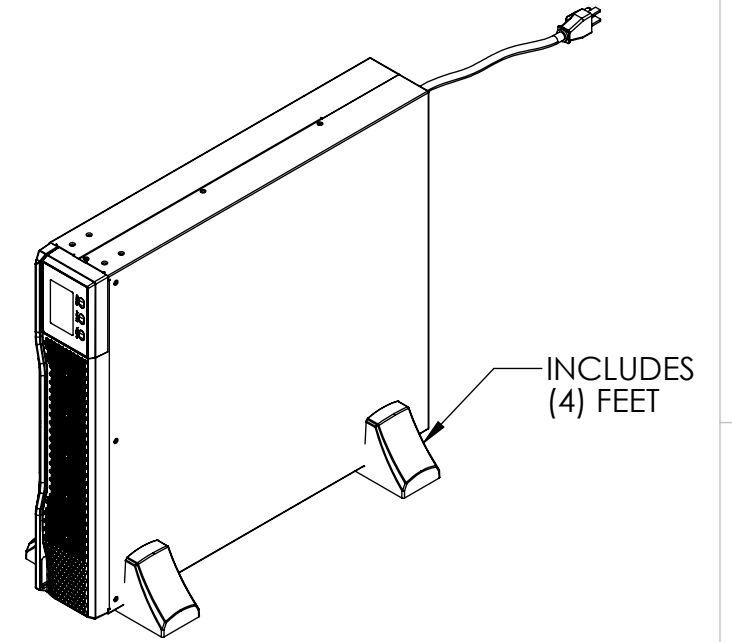
- WEIGHT 48.0 lbs.
- COLOR BLACK



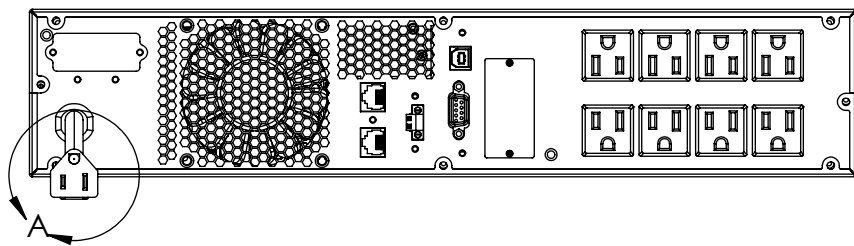
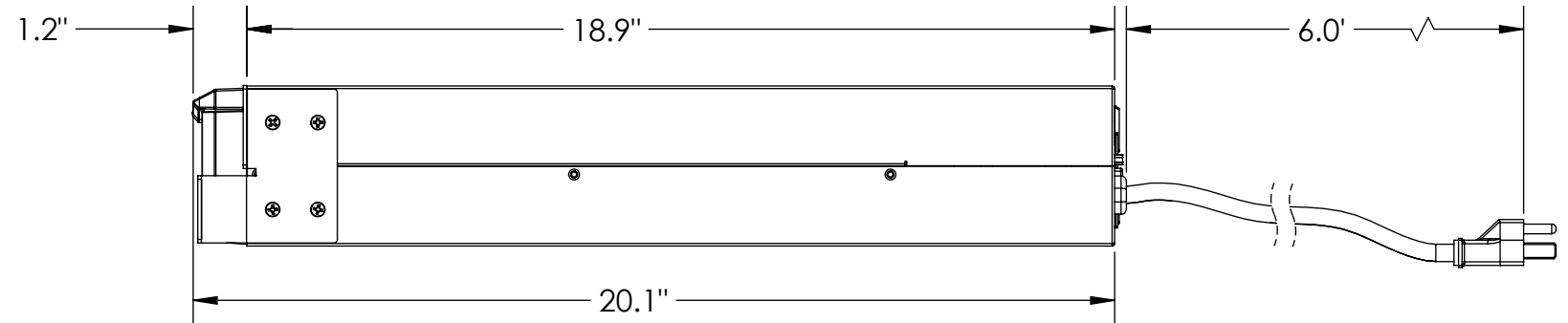
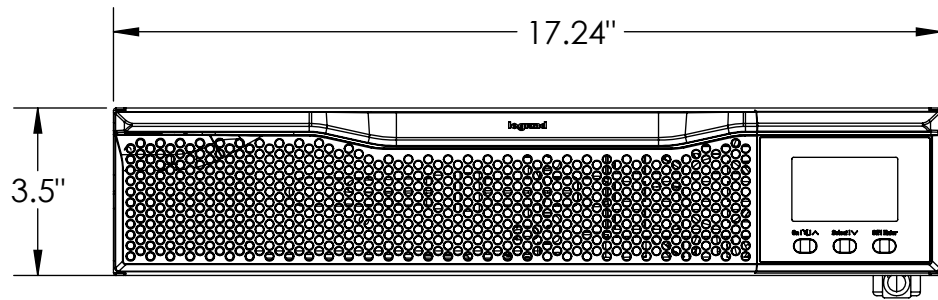
LU-4PKIT-2U 4POST RAIL KIT, 2U  
 • (12) M6 RACK SCREWS  
 • (6) M6 CAGE NUTS



RACK MOUNT CONFIGURATION

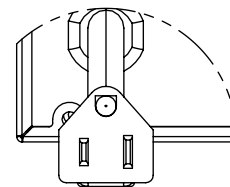


TOWER CONFIGURATION



**ALSO INCLUDED:**

- (1) USB CABLE
- (1) MANUAL



DETAIL A  
 NEMA 5-15P  
 SCALE 1 : 2

**\*\*\* NOTICE \*\*\***  
 THIS DOCUMENT CONTAINS CONFIDENTIAL AND/OR PROPRIETARY INFORMATION INTENDED FOR USE ONLY BY THE INDIVIDUAL(S) PROVIDED. NEITHER THIS DOCUMENT, NOR ANY INFORMATION CONTAINED HEREIN, MAY BE COPIED, DISTRIBUTED, DISCLOSED TO ANY THIRD PARTY OR USED IN ANY MANNER OTHER THAN FOR WHICH IT HAS BEEN PROVIDED, WITHOUT THE PRIOR WRITTEN CONSENT OF LEGRAND

**legrand**® WWW.LEGRAND.US

TITLE  
 LEGRAND UPS LINE INTERACTIVE 1500VA, 120V, 50-60HZ

	NAME	DATE	SIZE	CAD FILE	DWG NO	REV
DWN	MM	3/6/2019	B	LU1500RTL	LU-1500-RTL	00
CHK	RJG	3/7/2019	SCALE	1:4	SHEET	1 OF 1
APPR						