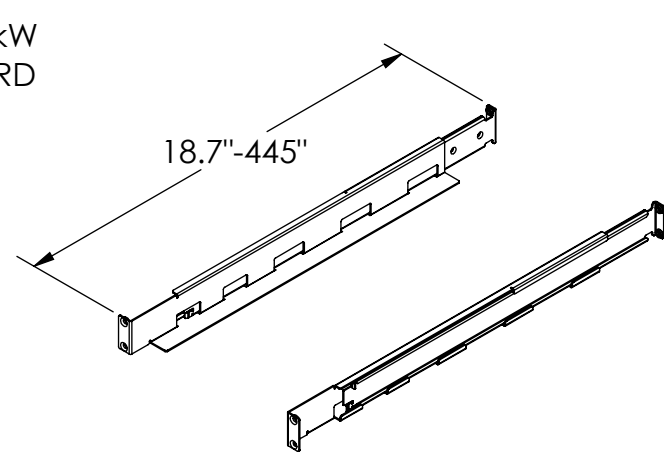


ELECTRICAL PARAMETERS:

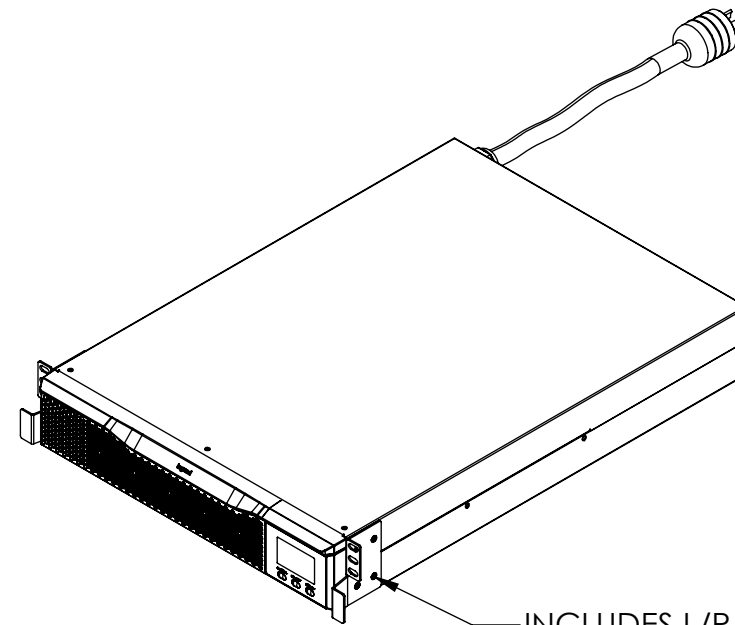
- DOUBLE-CONVERSION ONLINE, SINGLE-PHASE, 120V, 3.0kVA, 3.0kW
- INPUT TYPE: NEMA 5-30P, 6.0' CORD
- OUTPUT TYPE:
 - (8) NEMA 5-20R
 - (1) NEMA 5-30R
- DISCHARGE TIME:
 - 100% LOAD 3.0 min.
 - 75% LOAD 5.2 min.
 - 50% LOAD 10.1 min.
 - 25% LOAD 25.8 min.

MECHANICAL PARAMETERS:

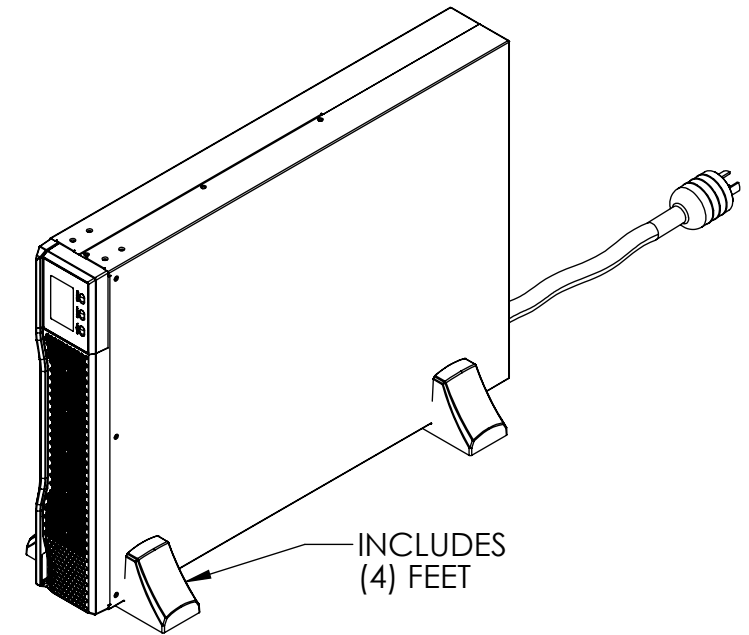
- WEIGHT 60.6 lbs.
- COLOR BLACK



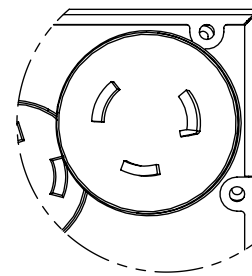
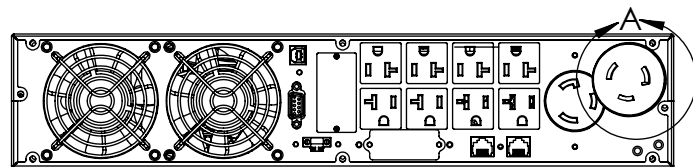
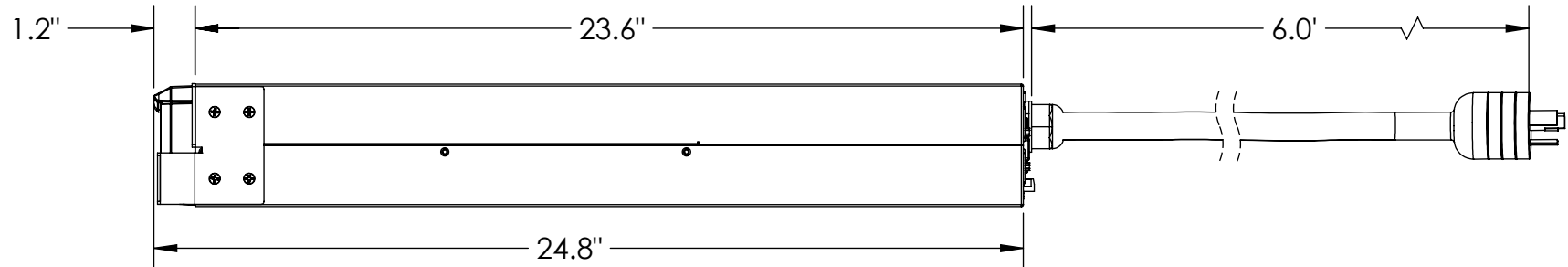
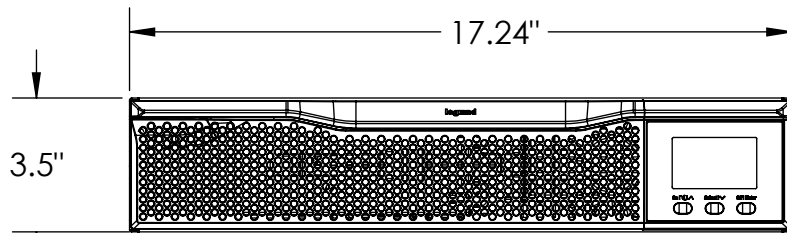
LU-4PKIT-2U 4POST RAIL KIT, 2U
 • (12) M6 RACK SCREWS
 • (6) M6 CAGE NUTS



RACK MOUNT CONFIGURATION



TOWER CONFIGURATION



DETAIL A
 NEMA 5-30P
 SCALE 1 : 2

- ALSO INCLUDED:**
- (1) USB CABLE 5.0'
 - (1) MANUAL

*** NOTICE ***
 THIS DOCUMENT CONTAINS CONFIDENTIAL AND/OR PROPRIETARY INFORMATION INTENDED FOR USE ONLY BY THE INDIVIDUAL(S) PROVIDED. NEITHER THIS DOCUMENT, NOR ANY INFORMATION CONTAINED HEREIN, MAY BE COPIED, DISTRIBUTED, DISCLOSED TO ANY THIRD PARTY OR USED IN ANY MANNER OTHER THAN FOR WHICH IT HAS BEEN PROVIDED, WITHOUT THE PRIOR WRITTEN CONSENT OF LEGRAND

legrand[®] WWW.LEGRAND.US

TITLE
 LEGRAND UPS ONLINE 3000VA, 120V, 50-60HZ

DWN	MM	3/6/2019	SIZE B	CAD FILE LU3000RTC	DWG NO LU-3000-RT	REV 00
CHK	RJG	3/7/2019	SCALE 1:5	SHEET 1 OF 1		
APPR						