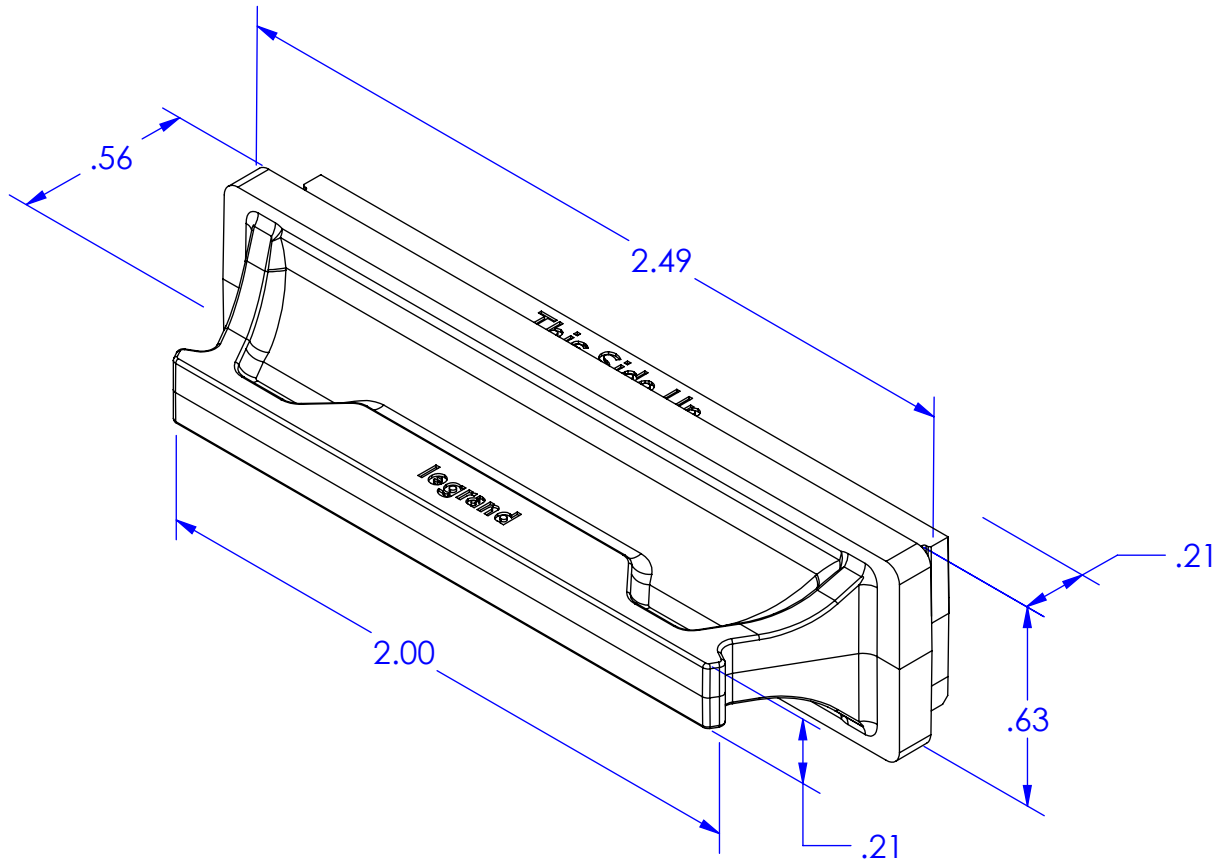


- NOTES, UNLESS OTHERWISE SPECIFIED:
1. ALL DIMENSIONS ARE IN INCHES.
 2. ITEM SOLD AS A BAG OF 2 PIECES.



<p>*** NOTICE ***</p> <p>THIS DOCUMENT CONTAINS CONFIDENTIAL AND/OR PROPRIETARY INFORMATION INTENDED FOR USE ONLY BY THE INDIVIDUAL(S) PROVIDED. NEITHER THIS DOCUMENT, NOR ANY INFORMATION CONTAINED HEREIN, MAY BE COPIED, DISTRIBUTED, DISCLOSED TO ANY THIRD PARTY OR USED IN ANY MANNER OTHER THAN FOR WHICH IT HAS BEEN PROVIDED, WITHOUT THE PRIOR WRITTEN CONSENT OF LEGRAND INC. MANUFACTURING RELEASE. PRODUCT SPECIFICATIONS AND STANDARDS ARE SUBJECT TO CHANGE WITHOUT NOTICE.</p>					WWW.LEGRAND.US	
			<p>TITLE</p> <p>PLUG, BLANK, M8, 1U, 2 PCS</p>			
	NAME	DATE	SIZE	CAD FILE	DWG NO	REV
DWN	RJG	6/29/2018	A	M8BLANKC	M8-BLANK	00
CHK	DMS	6/29/2018	SCALE	2:1	SHEET	1 OF 1
APPR	RH	10/17/2018				