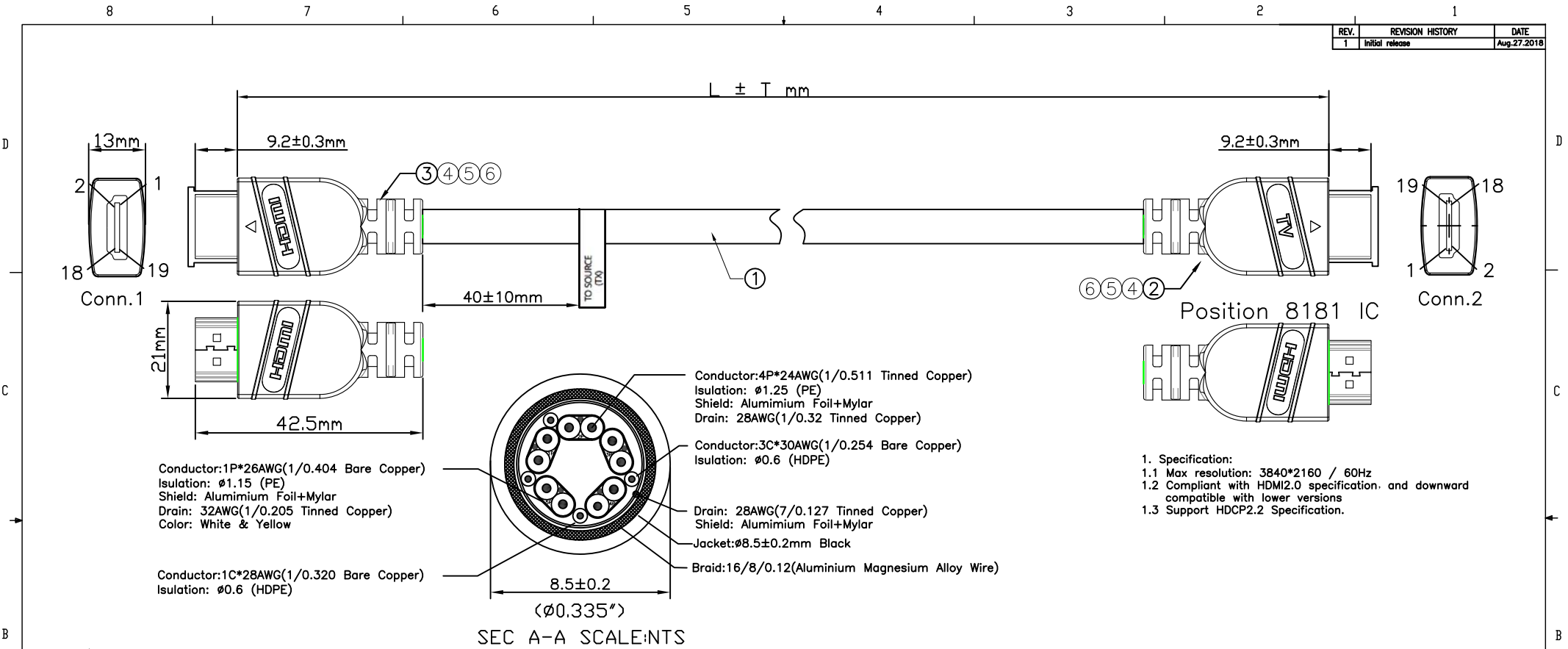


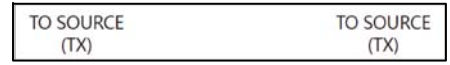
REV.	REVISION HISTORY	DATE
1	Initial release	Aug.27.2018



1. Specification:
 1.1 Max resolution: 3840*2160 / 60Hz
 1.2 Compliant with HDMI2.0 specification, and downward compatible with lower versions
 1.3 Support HDCP2.2 Specification.

P/N CHART

41414	75712041414X	35	10.675	10675	\pm 60	\pm 2.36
41415	75712041415X	50	15.75	15750	\pm 70	\pm 2.76
P/N	BAR CODE(XXXXX)	FT	M	L	T(MM)	T(INCH)



Label Size: 80*10mm

NO	ITEM	DESCRIPTION	Q'TY	UNIT
6	A10-R075073	ϕ 1.5 Black heat shrinkable Tube	0.04	M
5	A5-R047001	BLACK 45P PVC	20	g
4	A5-R047011	PE Material	4	g
3	A2-R028503	HDMI M 19P SOLDER TYPE,GOLD PLATED,BLACK INSULATION	1	PCS
2	B011-01860	HDMI AM Extender~HT8181 PCBA	1	PCS
1	A0010302-00823	HDMI2.0(2C*24#+EAM)*4+(1P*26#+EAM)+3C*30#+1C*28#+AEB(16/8/0.12AM)~OD:8.5mm~Black~Marking: HIGH SPEED HDMI CABLE WITH Ethernet E352299 元 TYPE CL3 75°C 24AWG	L	M

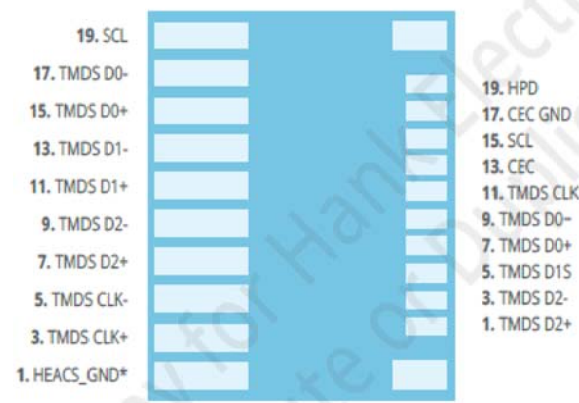
MANUFACTURED IN CHINA



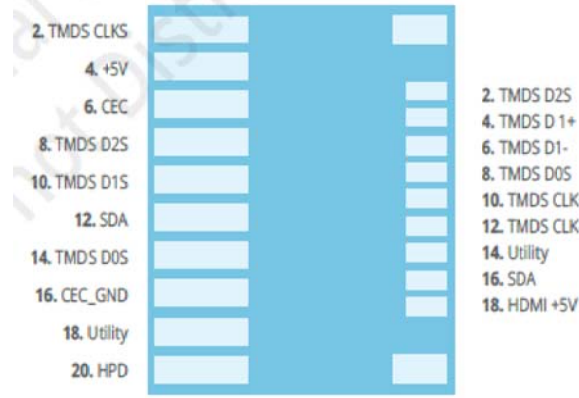
DRAWING APPROVED		TITLE	
<small>PROPRIETARY & CONFIDENTIAL. THE INFORMATION CONTAINED IN THIS DRAWING IS THE SOLE PROPERTY OF CABLES TO GO. ANY REPRODUCTION IN PART OR AS A WHOLE WITHOUT THE WRITTEN PERMISSION OF CABLES TO GO IS PROHIBITED.</small>		C2G Active HDMI High Speed Cable CL3	
SCALE	NONE	CUS. NAME	
SHEET	1/4	CUS. P/N	Ortronics Inc
<small>DIMENSIONAL TOLERANCES UNLESS OTHERWISE NOTED</small>		CHECKED	DATE
X ±	=0.5 (0.020")	DATE	2018.08.27
XXX ±	=0.100 (0.03")	DATE	
XXX ±	=0.050 (0.001")	DATE	
ANGLES	±	DATE	
REV. Ø	CUS. REV.	DATE	

REV.	REVISION HISTORY	DATE
1	Initial release	Aug.27.2018

Conn.1	Conn.2 (PCBA)
1 White	7 TMDS DATA 2+
3 Red	9 TMDS DATA 2-
2 Drain	8 TMDS DATA 2 SHIELD
4 White	11 TMDS DATA 1+
6 Brown	13 TMDS DATA 1-
5 Drain	10 TMDS DATA 1 SHIELD
7 White	15 TMDS DATA 0+
9 Blue	17 TMDS DATA 0-
8 Drain	14 TMDS DATA 0 SHIELD
10 White	3 TMDS CLOCK+
12 Green	5 TMDS CLOCK-
11 Drain	2 TMDS CLOCK SHIELD
14 White	18 Utility/HEAC+
19 Black	20 HDT PLUG DETECT/HEAC-
17 Drain	16 DDC/CEC GROUND / HEAC Shield
13 White	6 CEC
15 Red	19 SCL
16 Pink	12 SDA
18 Grey	4 +5V POWER
Shell Drain	Shell



Top Side
Top View



Bottom Side

DRAWING APPROVED			
<small>PROPRIETARY & CONFIDENTIAL. THE INFORMATION CONTAINED IN THIS DRAWING IS THE SOLE PROPERTY OF CABLES TO GO. ANY REPRODUCTION IN PART OR AS A WHOLE WITHOUT THE WRITTEN PERMISSION OF CABLES TO GO IS PROHIBITED.</small>			
mm SCALE NONE SHEET 2/4	TITLE C2G Active HDMI High Speed Cable CL3 CUS. NAME Ortronics Inc CUS. P/N (SEE P/N CHART) DWG. NO.		ENG. DATE: 2018.08.27 AX.Ding CHECKED DATE APPROVED DATE
<input type="checkbox"/> DIMENSIONAL TOLERANCES UNLESS OTHERWISE NOTED X ± = 0.5 (0.020") XXX ± = 0.100 (0.03") ANANGLES ± = 0.050 (0.001") REV. Ø CUS. REV.			

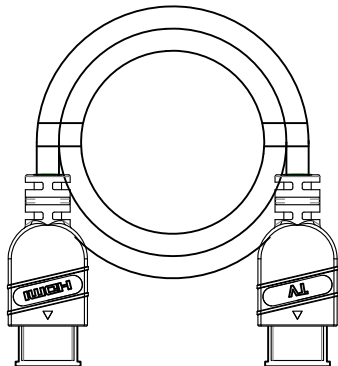
REV.	REVISION HISTORY	DATE
1	Initial release	Aug.27.2018

NOTES:

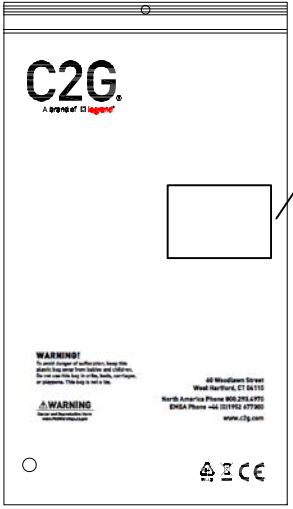
- 1.ALL DIMENSIONS ARE IN MILLIMETERS(INCH).
- 2.PRODUCT IS CE MARKED AND CONFORMS TO 2011/65/EU RoHS2.
- 3.CONNECTOR:
P1&P2: HDMI A MALE:SOLDERING TYPE;GOLD Plated CONTACTS;GOLD FLASH SHELL;HOOD:BLACK;
- 4.CABLE:
TYPE: HDMI2.0 UL20276 (2C*24#+EAM)*4+(1P*26#+EAM)+3C*30#+1C*28#; 75°C, 30V; COLOR:BLACK; UL-E352299;
VOLTAGE RATING:30V
SIGNAL BANDWIDTH: 600MHz
NOMINAL VELOCITY OF PROPAGATION: 18Gbps
DC RESISTANCE:300V
DIELECTRIC STRENGTH:AC-500V/MIN
INSULATION RESISTANCE:100M(OHMS*KM MIN at 20°C)
NOMINAL ATTENUATION(dB/cable):300kHz~825MHz<5;825~2.475GHz<5...<12;2.475GHz~4.125GHz<12...<20;4.125GHz~5.1Ghz<20...<25;
SHIELD TYPE/BRAID COVERAGE:65%
SHIELD TYPE/BRAID Braid:16/8/0.12(Aluminium Magnesium Alloy Wire)
JACKET MATERIAL & THICKNESS: PVC & 0.51MM
DRAIN WIRE AWG & CONSTRUCTION:28AWG & 7/0.127TC
MINIMUM BEND RADIUS:200°
CABLE MARKING:HIGH SPEED HDMITM CABLE WITH Ethernet E352299 见 TYPE CL3 75°C 24AWG
- 5.OPERATING TEMP: 0°C TO +50°C; 15-85% RH (NON-CONDENSING)
- 6.STORAGE TEMP: -25°C TO +85°C; 15-85% RH (NON-CONDENSING)
- 7.QC INSPECTION:
 - 7.1. 100% TEST FOR SHORT/OPEN: 10 OHM INSULATION RESISTANCE (300V DC)
 - 7.2. CHECK ALL ACCESSORIES INCLUDED ADDITIONAL SUPPLIER INFORMATION AS REQUIRED
 - 7.3. 100% For Video & Audio test

DRAWING APPROVED			
<small>PROPRIETARY & CONFIDENTIAL. THE INFORMATION CONTAINED IN THIS DRAWING IS THE SOLE PROPERTY OF CABLES TO GO. ANY REPRODUCTION IN PART OR AS A WHOLE WITHOUT THE WRITTEN PERMISSION OF CABLES TO GO IS PROHIBITED.</small>			
	mm	TITLE	
SCALE	NONE	C2G Active HDMI High Speed Cable CL3	
SHEET	3/4	CUS. NAME	
		Ortronics Inc	ENG. DATE:2018.08.27
<input type="checkbox"/> D	DIMENSIONAL TOLERANCES UNLESS OTHERWISE NOTED	CUS. P/N	AX.Ding
	X ± =0.5 (0.020")	(SEE P/N CHART)	CHECKED DATE
	XXX ± =0.050 (0.001")	DWG. NO.	APPROVED DATE
<input type="checkbox"/> S	REV. Ø	CUS. REV.	

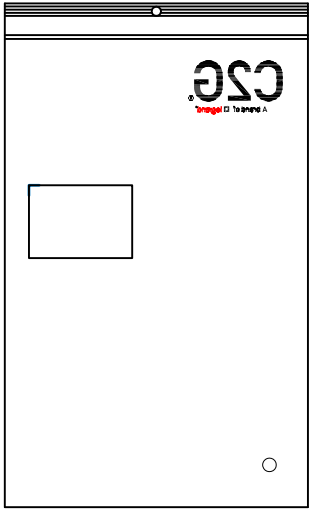
REV.	REVISION HISTORY	DATE
1	Initial release	Aug.27.2018



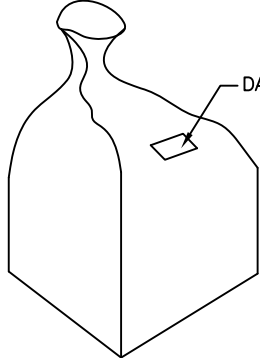
Coil dimension



(FRONT)
ZIP LOCK POLYBAG



(REAR)
ZIP LOCK POLYBAG



WATERPROOF BAG



CE LABEL

Barcode LABEL W*L=50.8*38.1MM

#41414 Made in China
 (EN) 35ft Active High Speed HDMI Cable - 4K60
 In-Wall CL-3 Rated
 (FR) Câble HDMI haute vitesse actif, 10,5m - 4K60
 In-Wall CL-3
 (ES) Cable HDMI activo de alta velocidad de 35 pies - 4K60 en pared CL-3 Rated

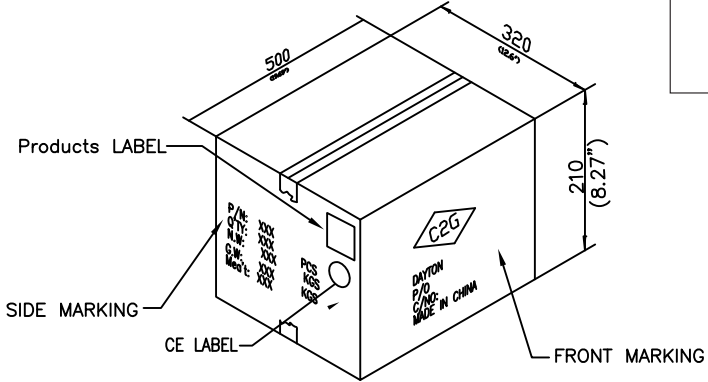
7 57120 41414 8
200141MYYY

#41415 Made in China
 (EN) 50ft Active High Speed HDMI Cable - 4K60
 In-Wall CL-3 Rated
 (FR) Câble HDMI haute vitesse actif, 15m - 4K60
 In-Wall CL-3
 (ES) Cable HDMI activo de alta velocidad de 50 pies - 4K60 en pared CL-3 Rated

7 57120 41415 5
200141MYYY

CARTON MARKINGS

SIDE MARKING		FRONT MARKING
P/N:		
Q'TY:	PCS	DAYTON
N. T.:	KGS	P/O
G. T.:	KGS	C/NO
MEA'T		MADE IN CHINA



Products LABEL
 SIDE MARKING
 CE LABEL
 FRONT MARKING
 both the side , paste the label

DATE CODE LABEL

200141 YY

YY=YEAR, 11=2011, 10=2010, ...
 *=MONTH, A=JAN, B=FEB, C=MAR. ...
 SUPPLIER ID

NO	ITEM	DESCRIPTION	Q'TY	UNIT
7	A11-R06xxxx	DATE CODE LABEL W*L=10*50MM BLACK TEXT ON WHITE BASE MARK:"200141....."	1/XX	pcs
6	A11-R07705B	LABEL:OD=19MM MARK:CE	1/XX	pcs
5	A11-R0xxxxx	Barcode LABEL W*L=50.8*38.1MM	X2/XX	pcs
4	AB-R053011	WATERPROOF:850*750*0.06MM	1/XX	pcs
3	A9-H005006	PASTEBOARD:480*300MM B3C	2/XX	pcs
2	A9-H010700-1	CTN:500*320*210MM K=K Mark:C2G DAYTON.....	1/XX	pcs
1	AB-R0xxxxx	ZIP LOCK Bag:305*383*0.1MM MARK:C2G	1	pcs

41414	18 PCS
41415	10 PCS
P/N	Packing QTY.

DRAWING APPROVED

PROPRIETARY & CONFIDENTIAL. THE INFORMATION CONTAINED IN THIS DRAWING IS THE SOLE PROPERTY OF CABLES TO GO. ANY REPRODUCTION IN PART OR AS A WHOLE WITHOUT THE WRITTEN PERMISSION OF CABLES TO GO IS PROHIBITED.

SCALE: NONE	TITLE: C2G Active HDMI High Speed Cable CL3	
SHEET: 4/4	CUS. NAME: Ortronics Inc	
DIMENSIONAL TOLERANCES UNLESS OTHERWISE NOTED: X± = ±0.5 (±0.020") XXX± = ±0.100 (±0.03") X± = ±0.050 (±0.001")	CUS. P/N: (SEE P/N CHART)	AX.Ding
	DWG. NO.	CHECKED DATE
REV. Ø	CUS. REV.	APPROVED DATE