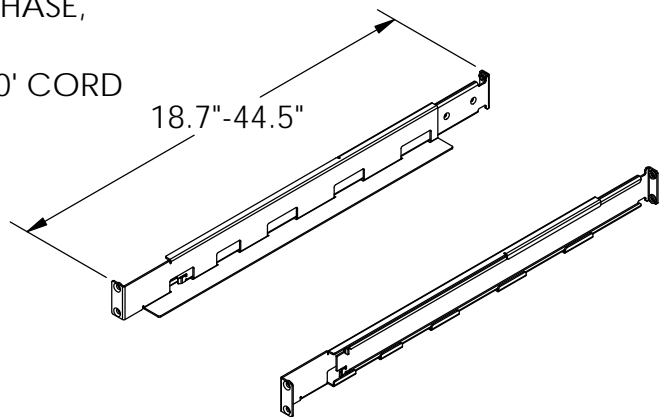


ELECTRICAL PARAMETERS:

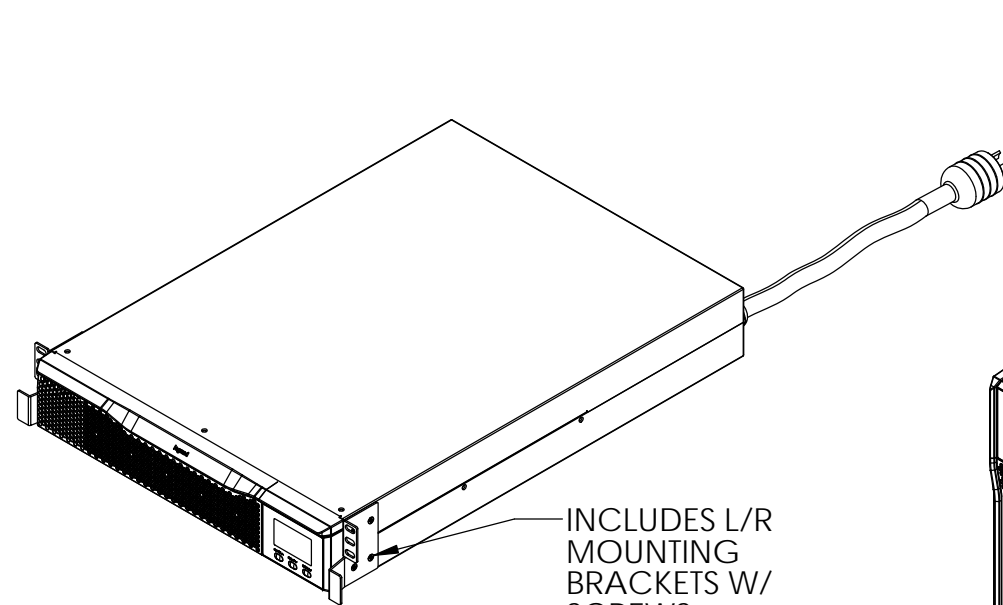
- LINE INTERACTIVE, SINGLE PHASE, 120V, 3.0kVA, 2.7kW
- INPUT TYPE: NEMA 5-30P, 6.0' CORD
- OUTPUT TYPE:
 - (6) NEMA 5-20R
 - (1) NEMA L5-30R
- DISCHARGE TIME:
 - 100% LOAD 4.0 min.
 - 75% LOAD 6.5 min.
 - 50% LOAD 12.3 min.
 - 25% LOAD 28.9 min.

MECHANICAL PARAMETERS:

- WEIGHT 64.6 lbs.
- COLOR BLACK

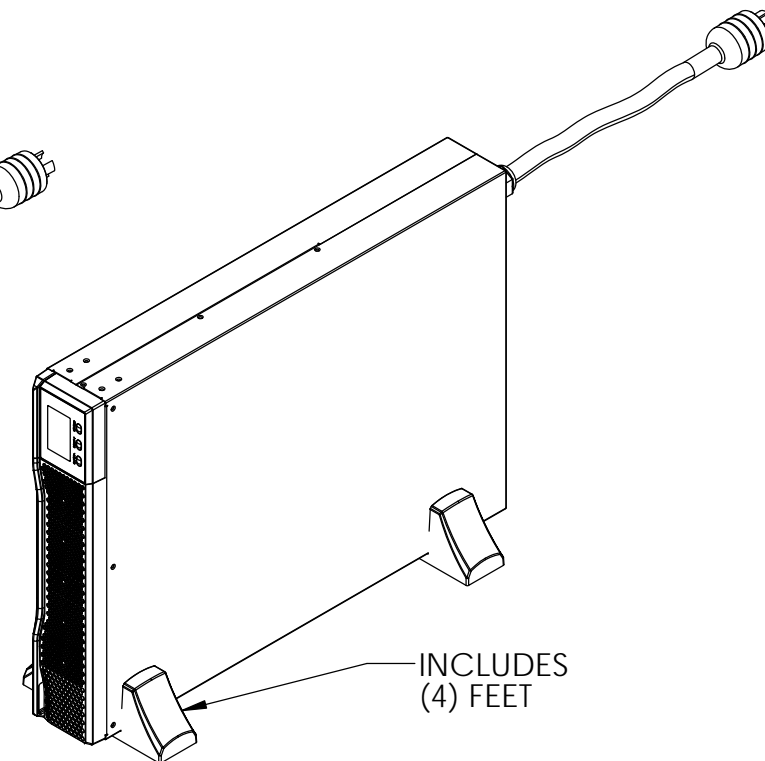


- LU-4PKIT-2U 4POST RAIL KIT, 2U
- (12) M6 RACK SCREWS
 - (6) M6 CAGE NUTS



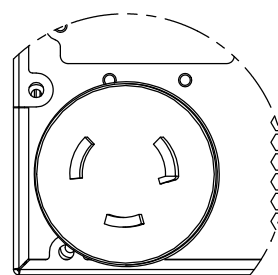
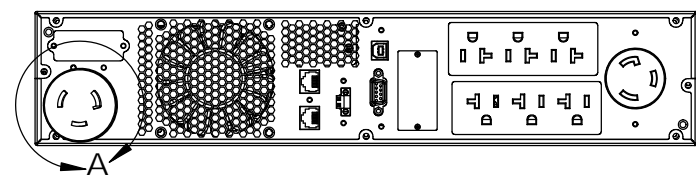
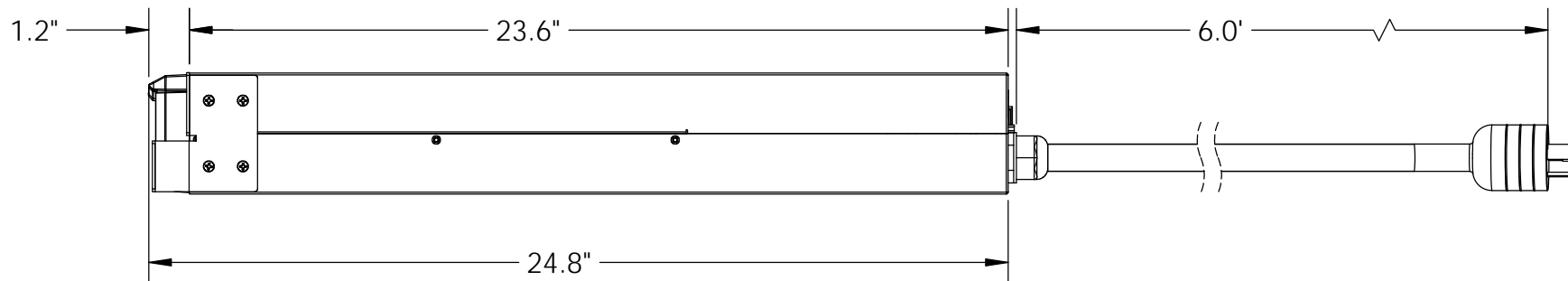
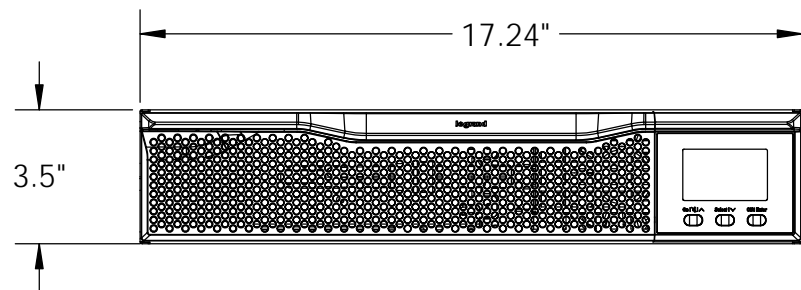
RACK MOUNT CONFIGURATION

INCLUDES L/R MOUNTING BRACKETS W/ SCREWS



TOWER CONFIGURATION

INCLUDES (4) FEET



DETAIL A
NEMA L5-30P
SCALE 1 : 2

- ALSO INCLUDED:**
- (1) USB CABLE 5.0'
 - (1) MANUAL

*** NOTICE ***
THIS DOCUMENT CONTAINS CONFIDENTIAL AND/OR PROPRIETARY INFORMATION INTENDED FOR USE ONLY BY THE INDIVIDUAL(S) PROVIDED. NEITHER THIS DOCUMENT, NOR ANY INFORMATION CONTAINED HEREIN, MAY BE COPIED, DISTRIBUTED, DISCLOSED TO ANY THIRD PARTY OR USED IN ANY MANNER OTHER THAN FOR WHICH IT HAS BEEN PROVIDED, WITHOUT THE PRIOR WRITTEN CONSENT OF LEGRAND

legrand® WWW.LEGRAND.US

TITLE
LEGRAND UPS LINE INTERACTIVE 3000VA, 120V, 50-60HZ

	NAME	DATE	SIZE	CAD FILE	DWG NO	REV
DWN	MM	3/6/2019	B	LU3000RTL	LU-3000-RTL	00
CHK	RJG	3/7/2019	SCALE 1:5		SHEET 1 OF 1	
APPR	CV	3/18/2019				