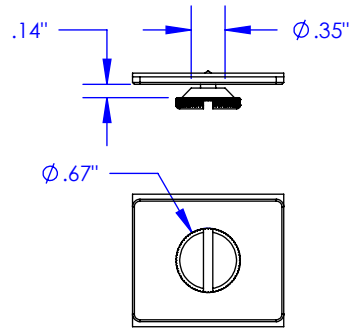
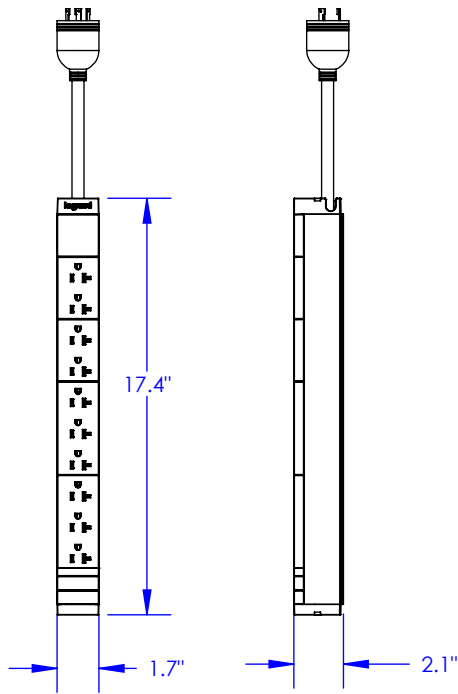




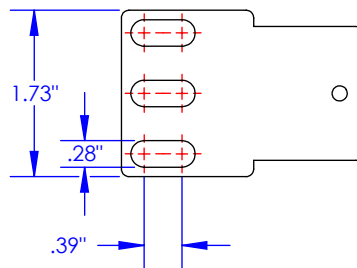
NEMA L5-20P

ELECTRICAL PARAMETERS:

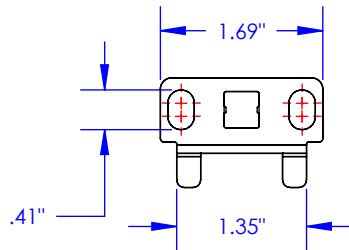
- SINGLE PHASE, 16A/100-120V, 1.9kVA
- INPUT TYPE: NEMA L5-20P, 10' CORD
- OUTPUT TYPE: (10) NEMA 5-20R, 16A



MOUNTING BUTTON
(2) INCLUDED



MOUNTING BRACKET
(2) INCLUDED



ALT MOUNTING BRACKET
(2) INCLUDED

NOTES:

1. INSTALLATION SHALL COMPLY WITH ALL APPLICABLE NATIONAL, STATE, AND LOCAL CODES.
2. PLEASE REFER TO PRODUCT DOCUMENTATION FOR FURTHER INFORMATION.
3. MOUNTING BUTTONS ARE AN ALTERNATIVE MOUNTING METHOD TO THE TOOLLESS MOUNT FOR 3RD PARTY ENCLOSURES. BUTTONS ARE PROVIDED WITH THE UNIT. DETAILED INSTALLATION INSTRUCTIONS CAN BE FOUND IN THE PROVIDED MANUAL.
4. MOUNTING HARDWARE NOT INCLUDED.

*** NOTICE ***
THIS DOCUMENT CONTAINS CONFIDENTIAL AND/OR PROPRIETARY INFORMATION INTENDED FOR USE ONLY BY THE INDIVIDUAL(S) PROVIDED. NEITHER THIS DOCUMENT, NOR ANY INFORMATION CONTAINED HEREIN, MAY BE COPIED, DISTRIBUTED, DISCLOSED TO ANY THIRD PARTY OR USED IN ANY MANNER OTHER THAN FOR WHICH IT HAS BEEN PROVIDED, WITHOUT THE PRIOR WRITTEN CONSENT OF LEGRAND. MANUFACTURING RELEASE. PRODUCT SPECIFICATIONS AND STANDARDS ARE SUBJECT TO CHANGE WITHOUT NOTICE.



WWW.LEGRAND.US

TITLE

RACK, PDU, BASIC, 1U, 16A, 120V,
(10) 5-20R, L5-20P CORD

NAME	DATE	SIZE	CAD FILE	DWG NO	REV
DWN CAC	1/7/2019	A	LP21211C	LP21211	00
CHK MM	1/7/2019	SCALE		SHEET	1 OF 1
APPR CV	1/7/2019				