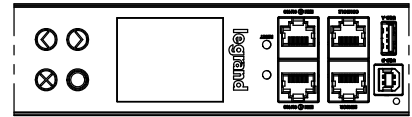
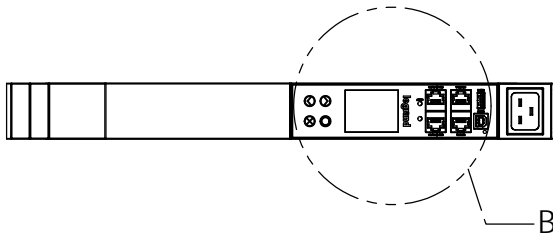
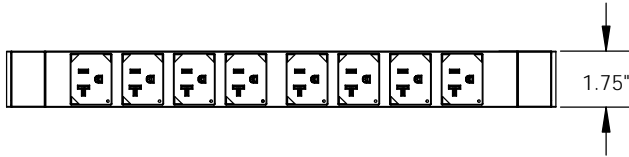
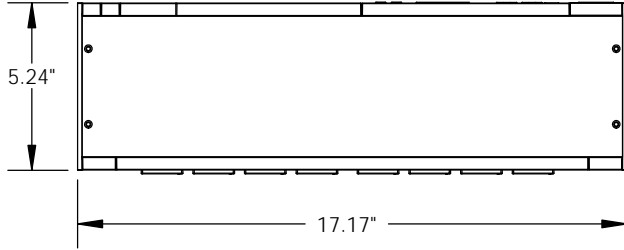
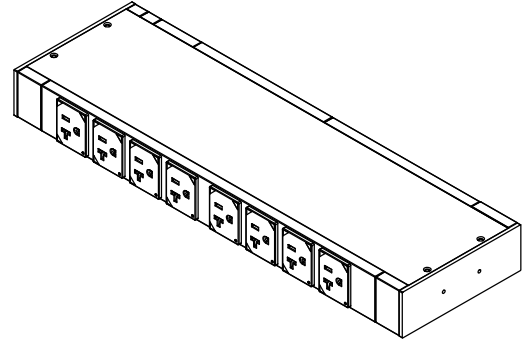


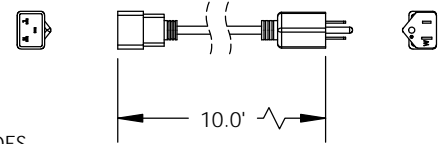
MOUNTING BRACKET  
(2) INCLUDED

ELECTRICAL PARAMETERS:

- SINGLE PHASE, 12A/120V, 1.4kVA
- INPUT TYPE: NEMA 5-15P, 10' CORD
- OUTPUT TYPE: (8) NEMA 5-20R, 12A



DETAIL B  
SCALE 1 : 3



IEC60320 C20  
NEMA 5-15P

NOTES:

1. INSTALLATION SHALL COMPLY WITH ALL APPLICABLE NATIONAL, STATE, AND LOCAL CODES.
2. PLEASE REFER TO PRODUCT DOCUMENTATION FOR FURTHER INFORMATION.
3. MOUNTING HARDWARE NOT INCLUDED.

\*\*\* NOTICE \*\*\*  
THIS DOCUMENT CONTAINS CONFIDENTIAL AND/OR PROPRIETARY INFORMATION INTENDED FOR USE ONLY BY THE INDIVIDUAL(S) PROVIDED. NEITHER THIS DOCUMENT, NOR ANY INFORMATION CONTAINED HEREIN, MAY BE COPIED, DISTRIBUTED, DISCLOSED TO ANY THIRD PARTY OR USED IN ANY MANNER OTHER THAN FOR WHICH IT HAS BEEN PROVIDED, WITHOUT THE PRIOR WRITTEN CONSENT OF LEGRAND. MANUFACTURING RELEASE, PRODUCT SPECIFICATIONS AND STANDARDS ARE SUBJECT TO CHANGE WITHOUT NOTICE.



WWW.LEGRAND.US

TITLE

RACK PDU, NETWORK SWITCHED, 1U,  
12A, 120V, (8) 5-20R, 5-15P CORD

	NAME	DATE	SIZE	CAD FILE	DWG NO	REV
DWN	CAC	1/22/2019	A	LP61110C	LP61110	00
CHK	MM	1/22/2019	SCALE	1:6	SHEET	1 OF 1
APPR	CV	1/25/2019				