

DATA SHEET



1-Port HDJ Blank, 10 Pack

Blank HDJ inserts fill jack openings and hold space for future expansion

OVERVIEW

Package of 10 1-Port HDJ blank inserts can be used to fill unoccupied high density jack openings. These HDJ blanks can be later exchanged for HDJ footprint connectors to serve future needs. HDJ is a versatile, individual jack solution in an easy-mount, rear-load footprint for mounting in HDJ Series workstation mounts and patch panels.

FEATURES

- Fills Unoccupied Jack Openings: Holds space for future expansion
- Rear Loading: Preferred mounting for panels, with quick and easy installation
- High Density Jack Footprint: Supports multiple applications, from Workstation Mounting Solutions to Patch Panel installations

ITEM DESCRIPTION

HDJBL10	1-Port HDJ Blank, 10 Pack - Fog White
HDJBL10-00	1-Port HDJ Blank, 10 Pack - Black
HDJBL10-88	1-Port HDJ Blank, 10 Pack - White

designed to be better.™



DATA SHEET

SPECIFICATIONS: 1-Port HDJ Blank, 10 Pack

GENERAL INFO:

- Color: Fog White (HDJBL10)
Black (HDJBL10-00)
White (HDJBL10-88)
- Footprint: High Density Jack (HDJ)
- Product Series: Clarity
- Type: Jacks and Modules

DIMENSIONS:

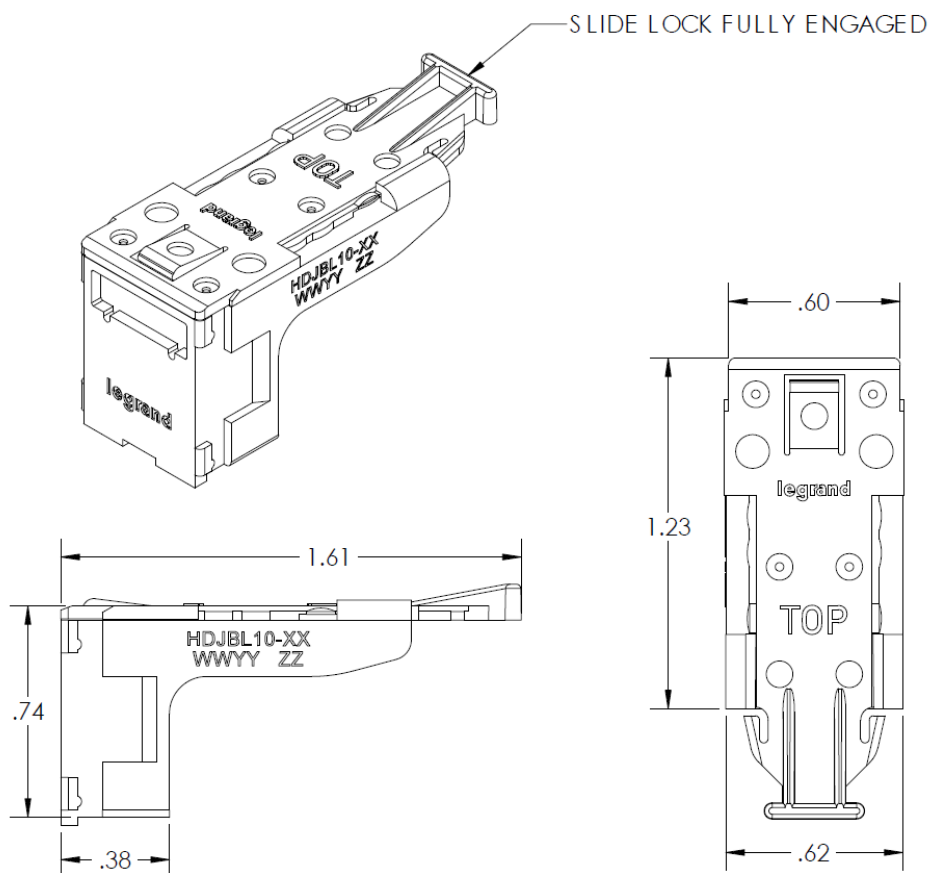
- Depth (Metric): 40.77mm
- Depth (US): 1.61 in.
- Height (Metric): 18.8mm
- Height (US): 0.74 in.
- Width (Metric): 15.75mm
- Width (US): 0.62 in.

LISTING AGENCIES/THIRD PARTY CERTIFICATIONS:

- RoHS: Yes
- CUL Listing No: E131600
- UL Listing No: E131600

BUY AMERICAN ACT COMPLIANCE:

- Country of Origin: Taiwan
- Buy American Act Status: Trade Agreement Act Compliant



Legrand, North and Central America

60 Woodlawn Street
West Hartford, CT 06110
1.877.BY.LEGRAND (295.3472)
www.legrand.us