

2

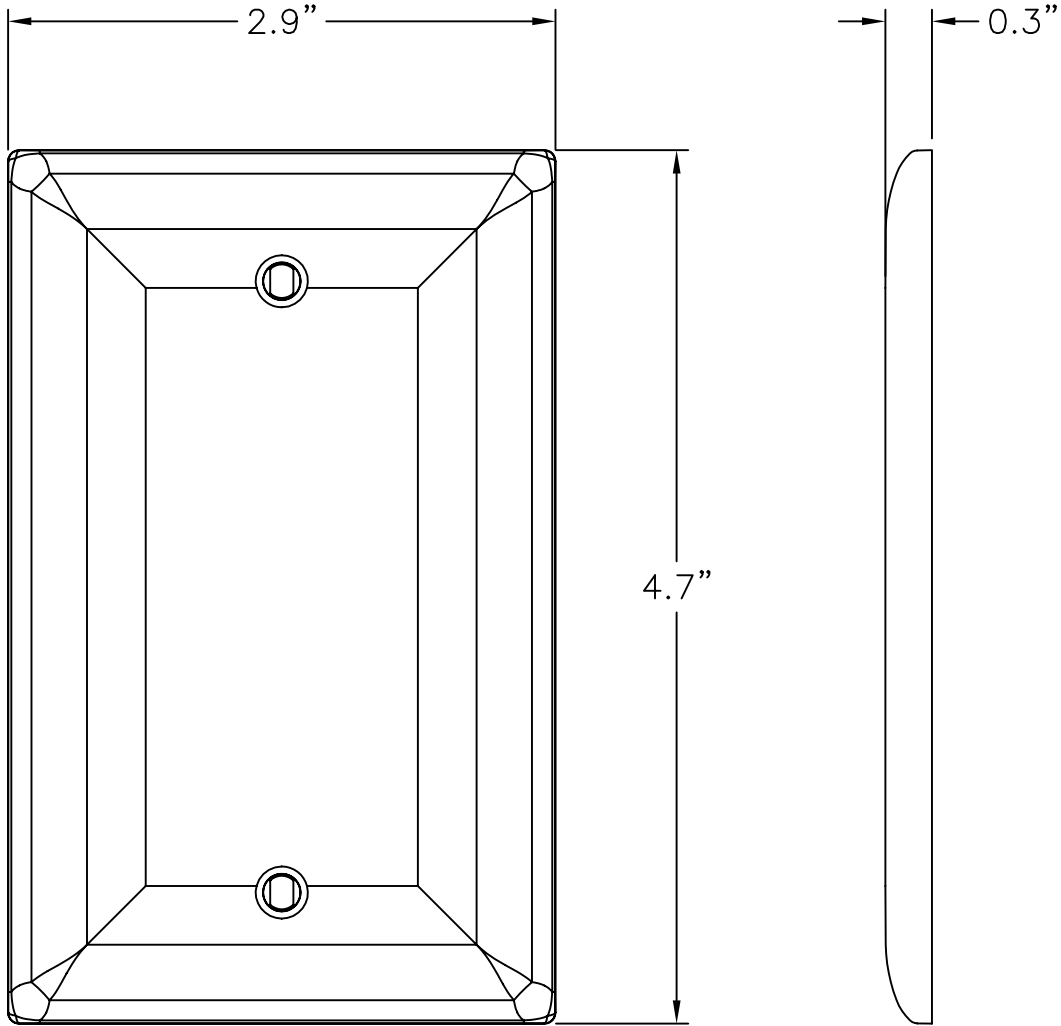
1

NOTES:

- 1. MATERIAL: ABS
- 2. UL LISTED
- 3. COLORS AVAILABLE: IVORY, BROWN, BLACK, LIGHT ALMOND ,WHITE
- 4. INSTALLATION HARDWARE INCLUDED

B

B



A

A

PROPRIETARY AND CONFIDENTIAL
 THE INFORMATION CONTAINED
 IN THIS DRAWING IS THE SOLE
 PROPERTY OF On-Q/LEGRAND.
 ANY REPRODUCTION IN PART OR
 AS A WHOLE WITHOUT THE WRITTEN
 PERMISSION OF On-Q/LEGRAND
 IS PROHIBITED. DRAWING IS SUBJECT
 TO CHANGE WITHOUT NOTICE.

on·Q

legrand

P.O. Box 60907
 Middletown, PA 17106-0907
 1-800-321-2343

TITLE:
SINGLE GANG WALL PLATE, BLANK

| | | | |
|--------------------------|-------------------------|-------------------------------|----------------------|
| SIZE A | DWG NO WP1194 | FILE NAME CD-WP1194 | CUST REV 1 |
| REVISED DATE 11/09/07 | SCALE NONE | SHEET 1 OF 1 | |

2

1