

2

1

NOTES:

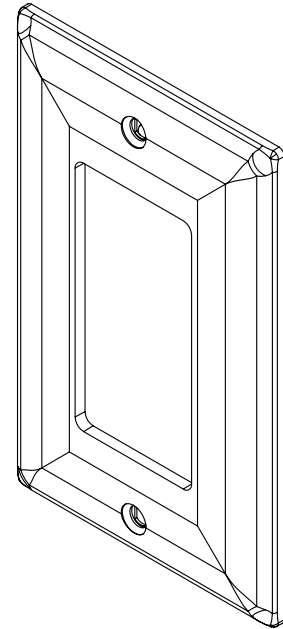
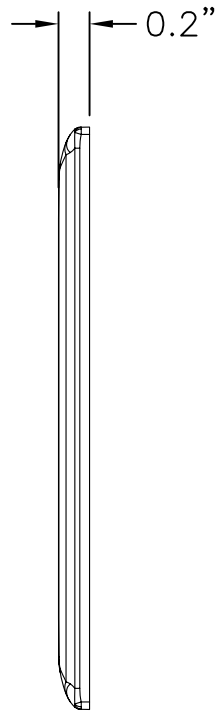
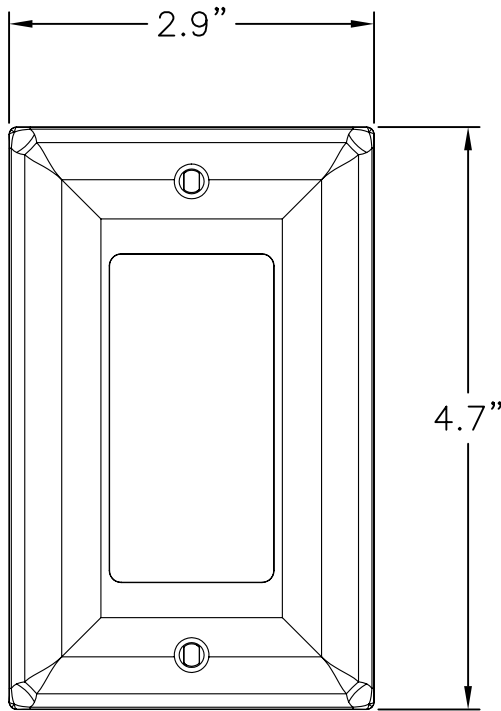
- 1. MATERIAL: NYLON
- 2. UL LISTED
- 3. COLORS AVAILABLE: IVORY, BROWN, BLACK, ALMOND, LIGHT ALMOND ,WHITE
- 4. INSTALLATION HARDWARE INCLUDED

B

B

A

A



PROPRIETARY AND CONFIDENTIAL  
 THE INFORMATION CONTAINED  
 IN THIS DRAWING IS THE SOLE  
 PROPERTY OF On-Q/LEGRAND.  
 ANY REPRODUCTION IN PART OR  
 AS A WHOLE WITHOUT THE WRITTEN  
 PERMISSION OF On-Q/LEGRAND  
 IS PROHIBITED. DRAWING IS SUBJECT  
 TO CHANGE WITHOUT NOTICE.

**on·Q**

**legrand**

P.O. Box 60907  
 Middletown, PA 17106-0907  
 1-800-321-2343

TITLE:

1 GANG DECORATOR WALL PLATE

SIZE	DWG NO	FILE NAME	CUST REV
<b>A</b>	WP1205	CD-WP1205	1
REVISED DATE	SCALE	SHEET	
11/09/07	NONE	1 OF 1	

2

1